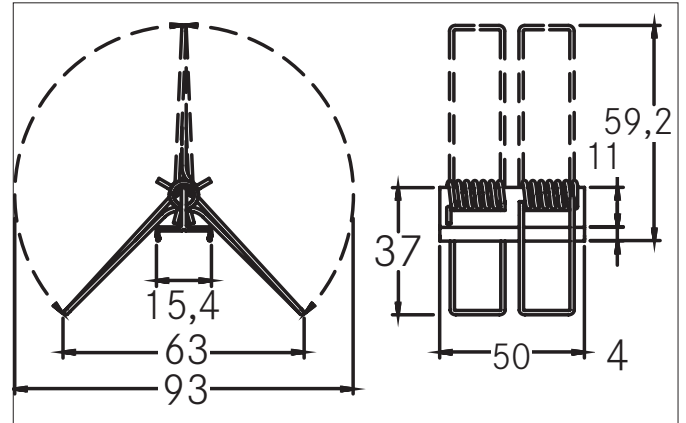
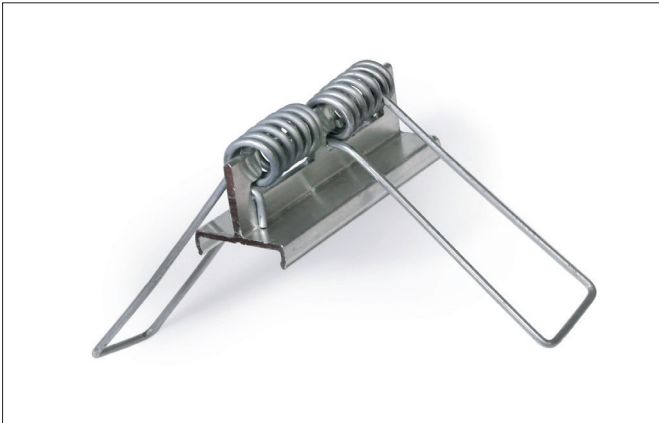


Spring holder for hollow ceilings

Article no. 53008000

Light.
For Generations.**Tender**

Spring holder for hollow ceilings, aluminium raw. for Material: Aluminium, dimensions profile: length: 50 mm x width: 15,4 mm x height: 37 mm .

Article data

Article no.	53008000
GTIN	4251433911555
Short description	Spring holder for hollow ceilings
Material	Aluminium
Colour	Alu
Length	50 mm
Width	15.4 mm
Hight	37 mm
Weight	0.011 kg

Packing data

Gross weight	0.012 kg
Length of packaging	50 mm
Packaging width	50 mm
Packaging hight	30 mm
Disposal at end of life	This product must not be disposed of with household waste. You are obliged, to dispose of such electrical waste separately. By disposing of electrical waste and other old or defective electronics separately, you support recycling or other forms of re-use. In that way you help to take care and to avoid that harmful substances get into the environment.