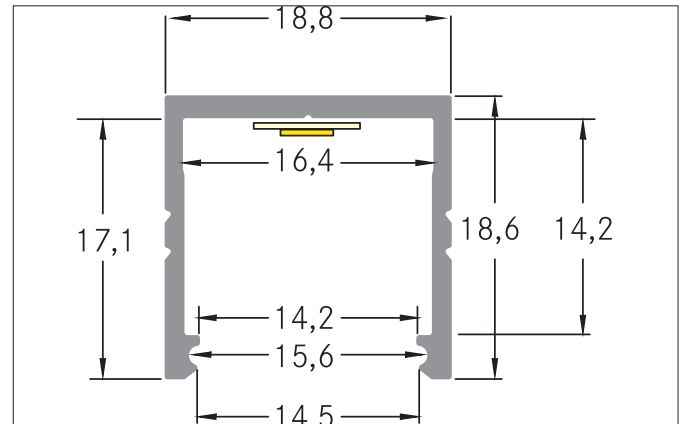


P16-16 Surface-mounted profile

Article no. 53607080

Light.
For Generations.**Tender**

Surface-mounted profile P16-16, black. for Mounting method: Mounting profile. Material: Aluminium, dimensions profile: length: 2.000 mm x width: 18,8 mm x height: 18,6 mm .

Product Benefits

- Simple surface mounted profile.
 - Available in black and anodized aluminum.
 - Up to 4 meters in length in one piece.
- (For deliveries beyond 2000 mm: Please ask for delivery costs separately).
- Extensive accessories.
 - Covers on roll, up to 80 meters in one piece.

| Article data | |
|-------------------|-------------------------|
| Article no. | 53607080 |
| GTIN | 4251433945031 |
| Series name | P16-16 |
| Short description | Surface-mounted profile |
| Material | Aluminium |
| Colour | Black |
| Length | 2,000 mm |
| Width | 18.8 mm |
| Hight | 18.6 mm |
| Weight | 0.380 kg |

P16-16 Surface-mounted profile

Article no. 53607080

Light.
For Generations.

| Packing data | |
|-------------------------|---|
| Gross weight | 0.79 kg |
| Length of packaging | 2,020 mm |
| Packaging width | 45 mm |
| Packaging height | 45 mm |
| Note | Please note that the materials aluminium and PMMA or PC can expand differently with changes in temperature! At a temperature change of 10°C, the coefficient of expansion is approx. aluminium is approx. 0.7mm per metre, for plastic approx. 1.5mm per metre. This is not a defect in the product, this is a normal physical process. |
| Disposal at end of life | This product must not be disposed of with household waste. You are obliged, to dispose of such electrical waste separately. By disposing of electrical waste and other old or defective electronics separately, you support recycling or other forms of re-use. In that way you help to take care and to avoid that harmful substances get into the environment. |