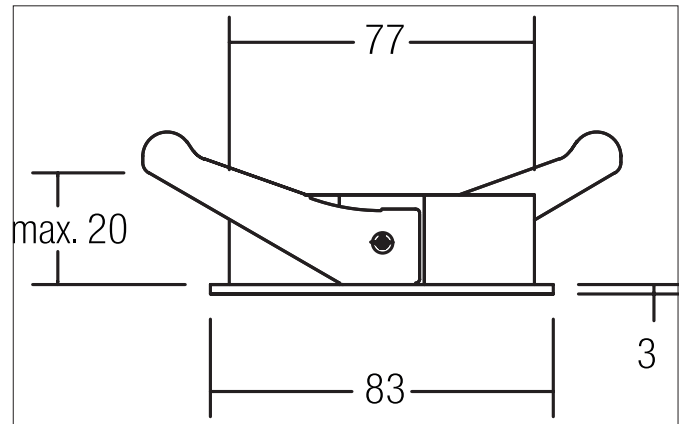


COUPLED Recessed ring, round
 Artikel-Nr. 82030170

Licht.
 Für Generationen.



Tender

Recessed ring, round, white, round. In a compact design, for installation in tool-less rapid assembly systems. Installation ring for recessed ceiling lights COUPLED as the basis for 12630/12635, 12632/12634 and 12631/12633. Mounting method: Recessed mounting, Place of installation: Ceiling-mounted, Material: Aluminium.

Article data	
Artikel-Nr.	82030170
GTIN	4251433915942
Series name	COUPLED
Kurzbeschreibung	Recessed ring, round
Material	Aluminium
Colour	White
Type of surface	Structure
Shape	round
Outer diameter	83 mm
Built-in diameter	77 mm
weight	0.060 kg

Lighting technology

Operating technology of the luminaires	
Lamp	LED

Mounting technology

Mounting method	Recessed mounting
Place of installation	Ceiling-mounted
Adjustability	Not adjustable

COUPLED Recessed ring, round
Artikel-Nr. 82030170

Licht.
Für Generationen.

Packing data	
Gross weight	0.103 kg
Length of packaging	130 mm
Packaging width	90 mm
Packaging height	50 mm