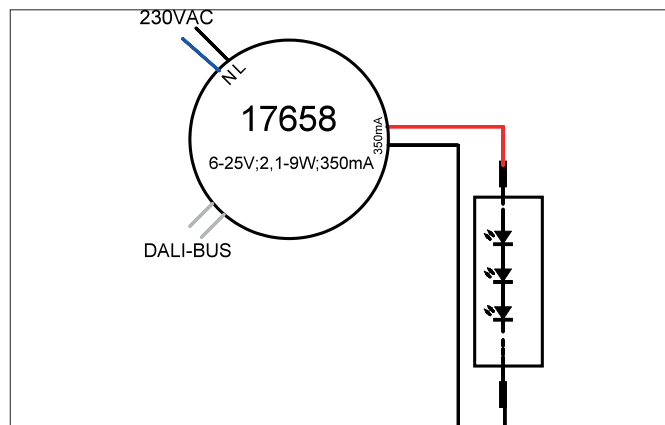
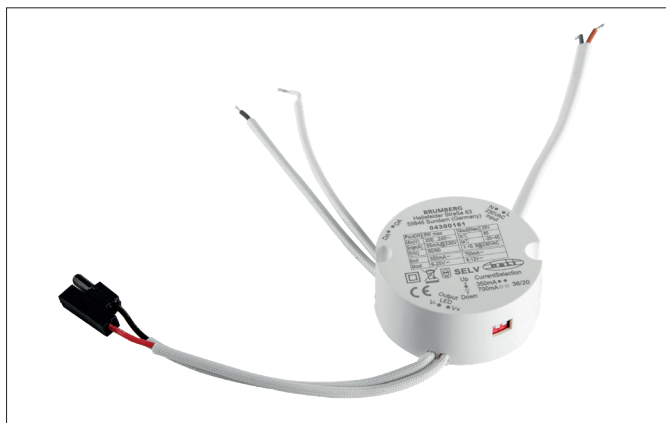


LED round converter 350 mA, DALI dimmable (digital)

Article no. 17658000

Light.
For Generations.**Tender**

LED round converter 350 mA, DALI dimmable (digital), , Round. This converter is equipped with safety devices which protect it against over-voltage, short-circuit as well as thermal and electric overloads. Material: Plastic, Degree of protection: according to DIN EN 60529 IP20, Protection class: (EN 61140) II, Current: 350 mA, Voltage: 230V AC 50Hz, Power: 9 W, Dimmable: Yes, Control: DALI.

Article data

Article no.	17658000
GTIN	4251433949022
Short description	LED round converter 350 mA, DALI dimmable (digital)
Material	Plastic
Shape	Round
Outer diameter	56 mm
Height	25 mm
Scope of delivery	Plug&Play version with 110 mm P&P output cable
Weight	0.070 kg
Length of the connection line	100 mm

LED round converter 350 mA, DALI dimmable (digital)

Article no. 17658000

Light.
For Generations.

Operating technology of driver	
AC nominal voltage min	200 V
AC nominal voltage max	240 V
Frequency min	50 Hz
Frequency max	60 Hz
Output current	350 mA
Protection class	II
Degree of protection	IP20
Starting current	2 A
Power min	2.1 W
Power max.	9 W
Suitable for emergency lighting	No
Control	DALI, DALI-2 , PUSH-Dimm
Environment temperature (ta)	-20 °C up to +45 °C
Measure point (tc)	max. +85 °C
Length of the connection line	100 mm
Version	Plug&Play
Power factor	0.9

Packing data	
Gross weight	0.09 kg
Length of packaging	70 mm
Packaging width	47 mm
Packaging height	81 mm
Disposal at end of life	This product must not be disposed of with household waste. You are obliged, to dispose of such electrical waste separately. By disposing of electrical waste and other old or defective electronics separately, you support recycling or other forms of re-use. In that way you help to take care and to avoid that harmful substances get into the environment.