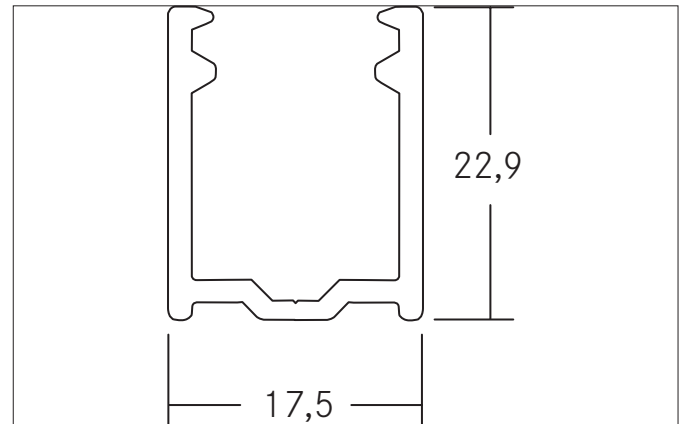


QUALITYFLEX Protection Horizon LED surface-mounted profile alu**anodized Horizon**

Article no. 53581260

Light.
For Generations.**Tender**

LED surface-mounted profile alu anodized Horizon, alu anodized. The associated end cap set is under 53254000 available. Mounting method: Mounting profile. Material: Aluminium, dimensions profile: length: 1.000 mm x width: 17,5 mm x height: 22,9 mm

Product Benefits

- High mounting profile.
- Delivery length 1 meter in one piece.
- Straight line for QualityFlex Protection Horizon

Article data	
Article no.	53581260
GTIN	4251433971139
Series name	QUALITYFLEX Protection Horizon
Short description	LED surface-mounted profile alu anodized Horizon
Material	Aluminium
Colour	Alu
Length	1,000 mm
Width	17.5 mm
Hight	22.9 mm
Weight	0.220 kg
Conformance	CE, UKCA

QUALITYFLEX Protection Horizon LED surface-mounted profile alu**anodized Horizon**

Article no. 53581260

Light.
For Generations.

Packing data	
Gross weight	0.23 kg
Length of packaging	1,005 mm
Packaging width	19 mm
Packaging height	25 mm
Note	Please note that the materials aluminium and PMMA or PC can expand differently with changes in temperature! At a temperature change of 10°C, the coefficient of expansion is approx. aluminium is approx. 0.7mm per metre, for plastic approx. 1.5mm per metre. This is not a defect in the product, this is a normal physical process.
Disposal at end of life	This product must not be disposed of with household waste. You are obliged, to dispose of such electrical waste separately. By disposing of electrical waste and other old or defective electronics separately, you support recycling or other forms of re-use. In that way you help to take care and to avoid that harmful substances get into the environment.