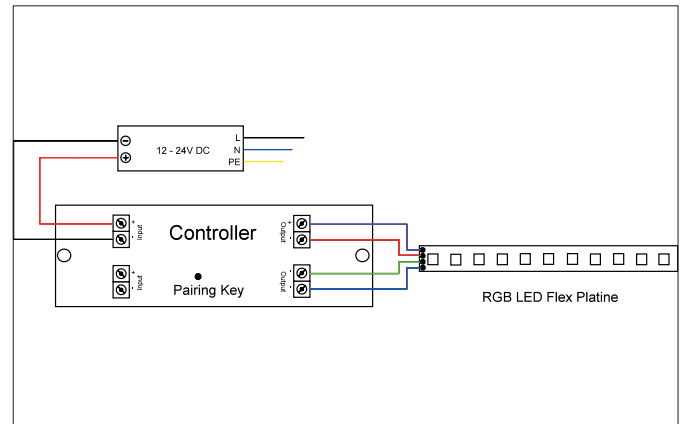


RGB radio control
Article no. 18233000

Light.
For Generations.



Tender
RGB radio control. RGB radio controller for controlling the RGB LED modules in the color light range. Controller: voltage: 12-24 V DC, current: maximum 3 x 3.33 A. Power: maximum 180 W / 360 W (12 V DC / 24 V DC). Control: negative (common anode). Control signal: PWM. Radio frequency: 869.5 MHz, Range (visual contact): up to 20 m. Ambient temperature (ta): 0 °C to +40 °C. Controller connection using screw terminals. Dimensions: L 178 x W 46 x H 18 mm. Material: Plastic. Delivery: including strain relief. Controller per remote control: maximum 4 (for optimum radio connection). Remote control: Voltage (battery): 4.5 V DC - 3 x AAA (not included in the scope of delivery). Radio frequency: 869.5 MHz. Transmission power (Ps) < 0 dBm. Range (visual contact): up to 20 m. Ambient temperature (ta): 0 °C to +40 °C. Dimensions: L 120 x W 48 x H 18 mm. Material: Plastic. Function scope: On / Off. RGB color change using a touch wheel. Dimmer keys for red / green / blue. Color gradient: Start / Stop. Color gradient: Speed Degree of protection: according to DIN EN 60529 IP20, Protection class: (EN 61140) III, Voltage: 12V 24V, Power: 240 W, Control: Wireless technology control.

Article data	
Article no.	18233000
GTIN	4251433922605
Short description	RGB radio control
Material	Plastic
Weight	0.121 kg

RGB radio control
Article no. 18233000

Light.
For Generations.

Packing data	
Gross weight	0.141 kg
Length of packaging	140 mm
Packaging width	110 mm
Packaging height	120 mm
Disposal at end of life	<p>This product must not be disposed of with household waste. You are obliged, to dispose of such electrical waste separately.</p> <p>By disposing of electrical waste and other old or defective electronics separately, you support recycling or other forms of re-use. In that way you help to take care and to avoid that harmful substances get into the environment.</p>