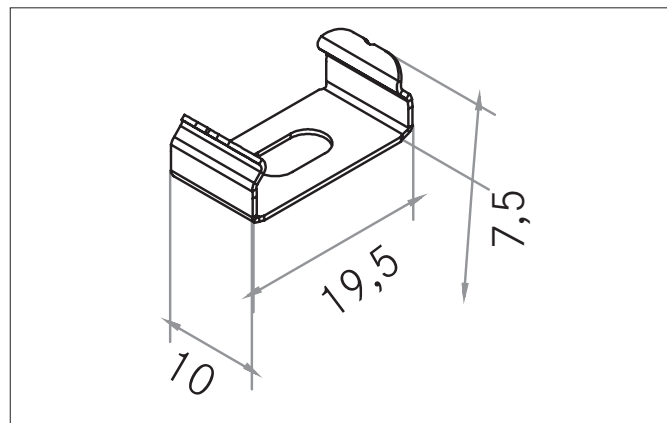
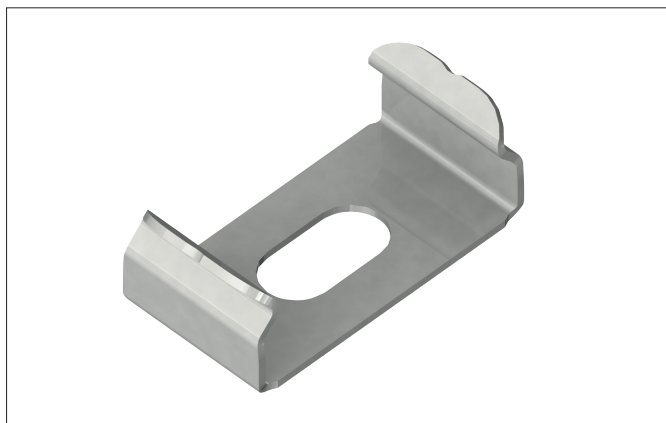


Holder set

Article no. 53034000

Light.
For Generations.**Tender**

Holder set, silver. for Material: Steel, dimensions profile: length: 10 mm x width: 19,5 mm x height: 7,5 mm .

Article data	
Article no.	53034000
GTIN	4251433911371
Short description	Holder set
Material	Steel
Colour	Silver
Length	10 mm
Width	19.5 mm
Hight	7.5 mm
Weight	0.004 kg

Packing data	
Gross weight	0.005 kg
Length of packaging	40 mm
Packaging width	30 mm
Packaging hight	10 mm
Disposal at end of life	This product must not be disposed of with household waste. You are obliged, to dispose of such electrical waste separately. By disposing of electrical waste and other old or defective electronics separately, you support recycling or other forms of re-use. In that way you help to take care and to avoid that harmful substances get into the environment.