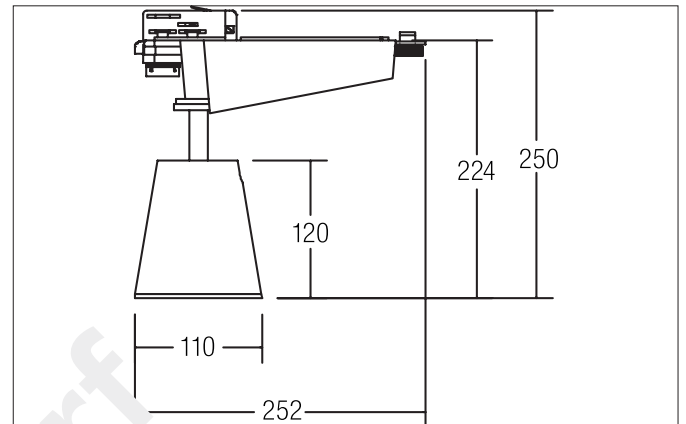


LED track spotlight

Article no. 88381175

Light.
For Generations.



Tender

LED track spotlight, white, Round. Surface mounting, Ceiling-mounted Including a light source: 1 x LED COB, system power: 31.3 W, heat dissipation: passive (without a fan), rotation angle: can be rotated / pivoted, dimensions of lamp: Ø 110 mm x 225 mm, lamp including an Euro adapter for standard 3-phase rails, including an operating device, switchable, power factor > 0.9 (230 V AC 50 Hz), weight: 1.5 kg
Mounting method: Surface mounting, Place of installation: Ceiling-mounted, Material: Aluminium / Glass, Degree of protection: according to DIN EN 60529 IP20, Protection class: (EN 61140) I, Voltage: 230V AC 50Hz, Power: 31.3W, Amount of light sources / fittings: 1.0 Qty, Luminous flux: 2.703lm, Colour temperature: 3.500 K, Light colour : White, Beam angle: 38°, Adjustability: Rotatable and adjustable head, With control gear: Yes, Control: on/off.

Article data	
Article no.	88381175
GTIN	4251433903956
Short description	LED track spotlight
Material	Aluminium
Colour	White
Type of surface	Matt
Shape	Round
Outer diameter	110 mm
Length	253 mm
Width	110 mm
Height	225 mm
Weight	1.450 kg

LED track spotlight
Article no. 88381175Light.
For Generations.

Lighting technology	
Colour temperature	3.500 K
Light colour	White
Luminous flux	2,703 lm
System efficiency	86 lm/W
Colour rendering	CRI > 80
Reflector	High-gloss
Beam angle	38°
Abstrahlwinkel 2 asymmetrisch	
Light sharing	Symmetric
Adjustable color temperature	No

Operating technology of the luminaire	
System output	31.3 W
Voltage type	AC
AC nominal voltage max	230 V
Frequenz max.	50 Hz
Lamp	LED
Protection class	I
Degree of protection	IP20
Control	on/off

Mounting technology	
Mounting method	Surface mounting
Place of installation	Ceiling-mounted
Adjustability	Rotatable and adjustable head
Swivel angle	90°
Rotation angle	355°
Head adjustable angle	90°
Suitable for through-wiring	No

Packing data	
Gross weight	1.846 kg
Length of packaging	270 mm
Packaging width	270 mm
Packaging height	130 mm
Disposal at end of life	This product must not be disposed of with household waste. You are obliged, to dispose of such electrical waste separately. By disposing of electrical waste and other old or defective electronics separately, you support recycling or other forms of re-use. In that way you help to take care and to avoid that harmful substances get into the environment.