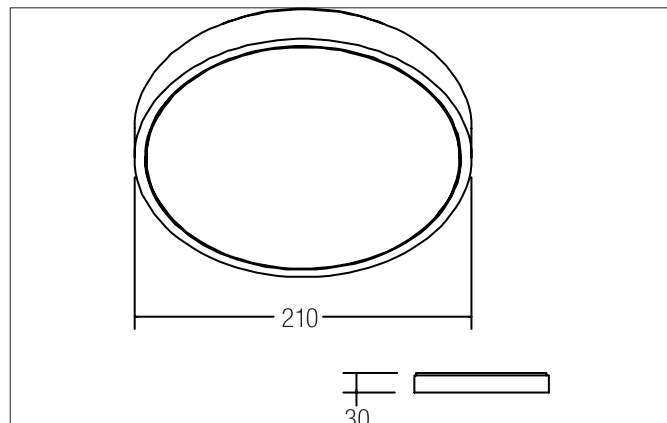


LED ceiling surface-mounted luminaire IP65

Article no. 60106084

Light.
For Generations.**Tender**

LED ceiling surface-mounted luminaire IP65, Round. Luminaire diameter 210.0 mm, Height 30.0 mm Weight 1.222 kg, with rotationssymmetrical, deep, wide distributed light intensity. optimal light distribution due to a plastic, transparent cover. Luminous flux 1.453 lm, Power 1 x 12 W, Light colour warm white, Correlated color temperature (CCT) 3.000 K, Colour rendering index CRI > 80, Housing material: Cast iron / Plastic, Colour: Black, Permissible ambient temperature (ta): -20 °C - +25 °C, Protection class (EN 61140): I, Degree of protection (DIN EN 60529): IP65, .With electronic driver, on/off switchable.

Article data	
Article no.	60106084
GTIN	4251433907251
Short description	LED ceiling surface-mounted luminaire IP65
Material	Cast iron / Plastic
Colour	Black
Shape	Round
Outer diameter	210 mm
Height	30 mm
Scope of delivery	Incl. converter for connection to the 230-V mains voltage, on/off and a foil for matting the plastic cover pane on the site
Weight	1.222 kg

LED ceiling surface-mounted luminaire IP65

Article no. 60106084

Light.
For Generations.

Lighting technology	
Colour temperature	3.000 K
Light colour	White
Light output	Direct
Luminous flux	1,453 lm
System efficiency	121 lm/W
Colour rendering	CRI > 80
Reflector	High-gloss
Beam angle	120°
Light sharing	Symmetric
Adjustable color temperature	No

Operating technology of the luminaire	
System output	12 W
Voltage type	AC
AC nominal voltage max	220 V
Frequenz max.	50 Hz
Lamp	LED
Protection class	I
Degree of protection	IP65
Control	on/off

Mounting technology	
Mounting method	Surface mounting
Place of installation	Ceiling-mounted
Adjustability	Not adjustable
stamp	UKCA
Material cover	Plastic, transparent
Suitable for through-wiring	No

Packing data	
Gross weight	1.492 kg
Length of packaging	275 mm
Packaging width	85 mm
Packaging height	275 mm
Disposal at end of life	This product must not be disposed of with household waste. You are obliged, to dispose of such electrical waste separately. By disposing of electrical waste and other old or defective electronics separately, you support recycling or other forms of re-use. In that way you help to take care and to avoid that harmful substances get into the environment.