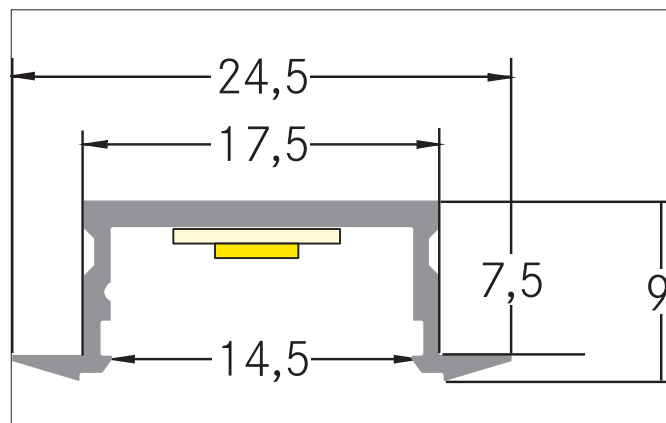


**P35-14 Recessed profile**

Article no. 53657260

Light.  
For Generations.**Tender**

Recessed profile P35-14, silver. For optimal attachment of the profile this holders are suitable 53034000. With the use of profile covers 53440000 53440070 53440080 the additional mechanical protection and optimal light distribution can be achieved. The associated end cap set is under 53088260 available. for Mounting method: Recessed profile, Material: Aluminium, dimensions profile: length: 2.000 mm x width: 25,4 mm x height: 9 mm .

**Product Benefits**

- Simple, compact recessed profile.
  - Available in black and anodized aluminum.
  - Up to 6 meters in length in one piece.
- (For deliveries beyond 2000 mm: please ask for delivery costs separately).
- Matching covers available in transparent, opal and black.
  - Covers on roll, up to 80 meters in one piece.

Article data	
Article no.	53657260
GTIN	4251433911401
Series name	P35-14
Short description	Recessed profile
Material	Aluminium
Colour	Silver
Length	2,000 mm
Width	25.4 mm
Hight	9 mm
Weight	0.260 kg

**P35-14 Recessed profile**

Article no. 53657260

Light.  
For Generations.

Packing data	
Gross weight	0.64 kg
Length of packaging	2,020 mm
Packaging width	45 mm
Packaging height	45 mm
Note	Please note that the materials aluminium and PMMA or PC can expand differently with changes in temperature! At a temperature change of 10°C, the coefficient of expansion is approx. aluminium is approx. 0.7mm per metre, for plastic approx. 1.5mm per metre. This is not a defect in the product, this is a normal physical process.
Disposal at end of life	This product must not be disposed of with household waste. You are obliged, to dispose of such electrical waste separately. By disposing of electrical waste and other old or defective electronics separately, you support recycling or other forms of re-use. In that way you help to take care and to avoid that harmful substances get into the environment.