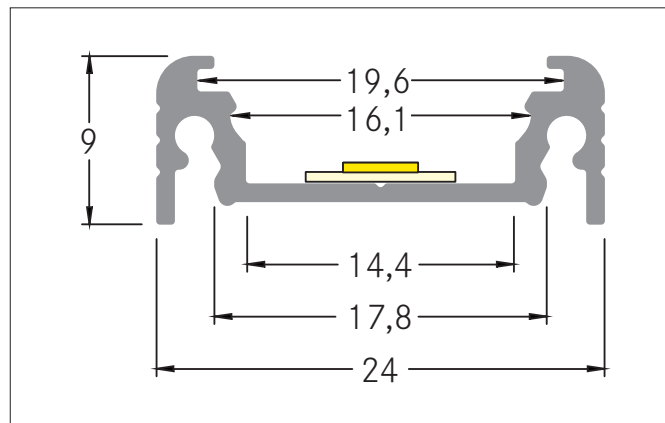


P04-14 Surface-mounted profile

Article no. 73602080

Light.
For Generations.**Tender**

Surface-mounted profile P04-14, black. for Material: Aluminium, dimensions profile: length: 100 mm x width: 24 mm x height: 9 mm .

Product Benefits

- Flat surface mounted profile.
- Available in white, black and anodized aluminum.
- Up to 4 meters length in one piece.

(For deliveries beyond 2000 mm: please ask for delivery costs separately).

- Connecting piece 90° for rectangular applications.
- Extensive accessories and matching covers.

Article data	
Article no.	73602080
GTIN	4251433914150
Series name	P04-14
Short description	Surface-mounted profile
Material	Aluminium
Colour	Black
Length	100 mm
Width	24 mm
Hight	9 mm
Weight	0.012 kg

P04-14 Surface-mounted profile

Article no. 73602080

Light.
For Generations.

Packing data	
Gross weight	0.235 kg
Length of packaging	2,020 mm
Packaging width	45 mm
Packaging height	45 mm
Note	Please note that the materials aluminium and PMMA or PC can expand differently with changes in temperature! At a temperature change of 10°C, the coefficient of expansion is approx. aluminium is approx. 0.7mm per metre, for plastic approx. 1.5mm per metre. This is not a defect in the product, this is a normal physical process.
Disposal at end of life	This product must not be disposed of with household waste. You are obliged, to dispose of such electrical waste separately. By disposing of electrical waste and other old or defective electronics separately, you support recycling or other forms of re-use. In that way you help to take care and to avoid that harmful substances get into the environment.