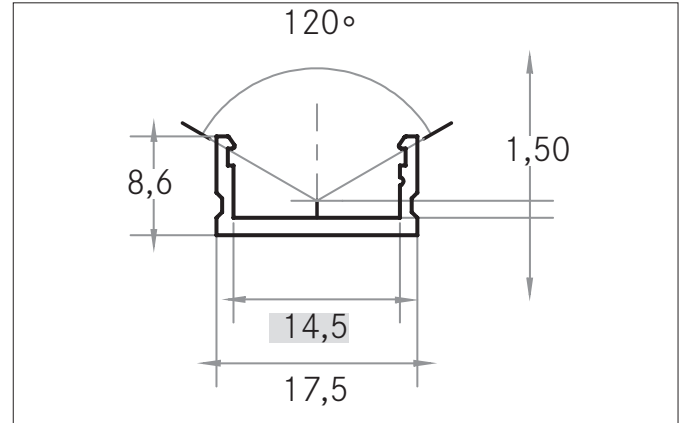


P05-14 Surface-mounted profile

Article no. 73604260

Light.
For Generations.**Tender**

Surface-mounted profile, alu anodized. For optimal attachment of the profile this holders are suitable 53034000. With the use of profile covers 73440000 73440070 73440080 the additional mechanical protection and optimal light distribution can be achieved. The associated end cap set is under 53086260 available. Mounting method: Mounting profile. Material: Aluminium, dimensions profile: length: 100 mm x width: 17,5 mm x height: 8,6 mm

Product Benefits

- Simple, surface mounted profile.
 - Good to use for displays.
 - Up to 6 meters length in one piece.
- (For deliveries beyond 2000 mm: please ask for delivery costs separately).
- Matching covers available in transparent, opal and black.
 - Covers on roll, up to 80 meters in one piece.

Article data	
Article no.	73604260
GTIN	4251433913665
Series name	P05-14
Short description	Surface-mounted profile
Material	Aluminium
Colour	Alu
Length	100 mm
Width	17.5 mm
Height	8.6 mm
Weight	0.011 kg

P05-14 Surface-mounted profile

Article no. 73604260

Light.
For Generations.

Packing data	
Gross weight	0.032 kg
Length of packaging	2,020 mm
Packaging width	80 mm
Packaging height	40 mm
Note	Please note that the materials aluminium and PMMA or PC can expand differently with changes in temperature! At a temperature change of 10°C, the coefficient of expansion is approx. aluminium is approx. 0.7mm per metre, for plastic approx. 1.5mm per metre. This is not a defect in the product, this is a normal physical process.
Disposal at end of life	This product must not be disposed of with household waste. You are obliged, to dispose of such electrical waste separately. By disposing of electrical waste and other old or defective electronics separately, you support recycling or other forms of re-use. In that way you help to take care and to avoid that harmful substances get into the environment.