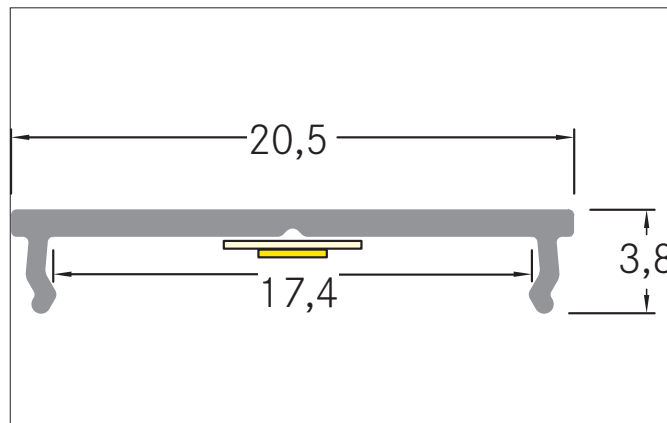


P76-16 Flat profile P76-16

Article no. 53756080


Tender

Flat profile P76-16, black anodized. Mounting method: Mounting profile. Material: Aluminium, dimensions profile: length: 2.000 mm x width: 20,5 mm x height: 3,8 mm

Product Benefits

- Compact and flat profile.
- Easy solution for cooling of the LED flex lighting.
- Up to 4 meters length in one piece. (For deliveries beyond 2000 mm: Please ask for delivery costs separately).
- Simplest installation for a light line.
- For use without cover.

Article data	
Article no.	53756080
GTIN	4251433912767
Series name	P76-16
Short description	Flat profile P76-16
Material	Aluminium
Colour	Black
Length	2,000 mm
Width	20.5 mm
Hight	3.8 mm
Weight	0.120 kg
Conformance	CE, UKCA

P76-16 Flat profile P76-16

Article no. 53756080

Packing data	
Gross weight	0.53 kg
Length of packaging	2,020 mm
Packaging width	45 mm
Packaging height	45 mm
Note	Please note that the materials aluminium and PMMA or PC can expand differently with changes in temperature! At a temperature change of 10°C, the coefficient of expansion is approx. aluminium is approx. 0.7mm per metre, for plastic approx. 1.5mm per metre. This is not a defect in the product, this is a normal physical process.
Disposal at end of life	This product must not be disposed of with household waste. You are obliged, to dispose of such electrical waste separately. By disposing of electrical waste and other old or defective electronics separately, you support recycling or other forms of re-use. In that way you help to take care and to avoid that harmful substances get into the environment.