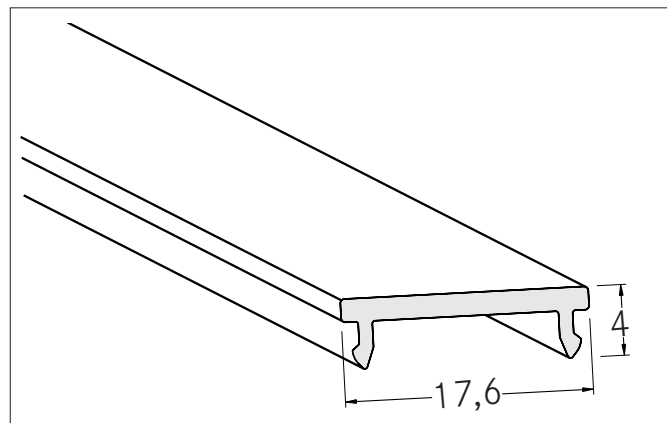
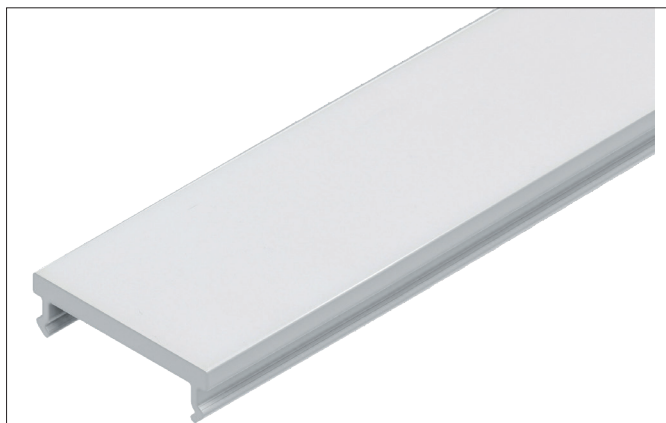


**Covers: PMMA**

Article no. 73402070

Light.  
For Generations.**Tender**

Covers: PMMA,. Material: PMMA, dimensions profile: length: 100 mm x width: 17,6 mm x height: 4 mm

Article data	
Article no.	73402070
GTIN	4251433914211
Short description	Covers: PMMA
Material	PMMA
Colour	Opal
Transmittance	70 %
Length	100 mm
Width	17.6 mm
Hight	4 mm
Weight	0.002 kg

**Covers: PMMA**  
Article no. 73402070

Light.  
For Generations.

Packing data	
Gross weight	0.235 kg
Length of packaging	2,020 mm
Packaging width	45 mm
Packaging height	45 mm
Note	Please note that the materials aluminium and PMMA or PC can expand differently with changes in temperature! At a temperature change of 10°C, the coefficient of expansion is approx. aluminium is approx. 0.7mm per metre, for plastic approx. 1.5mm per metre. This is not a defect in the product, this is a normal physical process.
Disposal at end of life	This product must not be disposed of with household waste. You are obliged, to dispose of such electrical waste separately. By disposing of electrical waste and other old or defective electronics separately, you support recycling or other forms of re-use. In that way you help to take care and to avoid that harmful substances get into the environment.