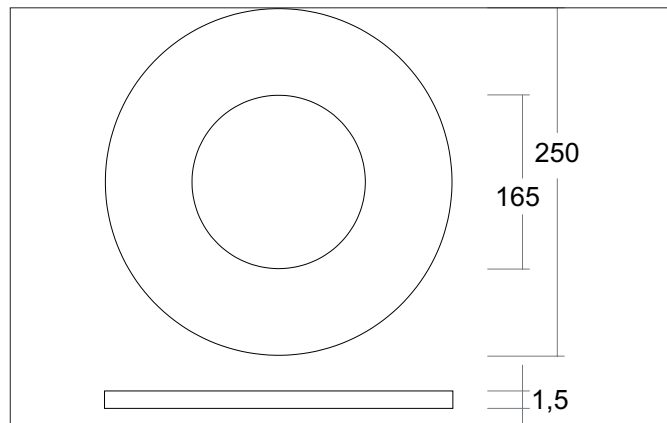


KACIE MINI Reduzierring zu Einbaudownlight

Article no. 81025180

Light.
For Generations.**Tender**

Reduzierring zu Einbaudownlight, black structure, Round.Reduzierring für Einbaudownlights, Durchmesser 250 mm, Innendurchmesser 165 mm,Stärke 1,5 mm, mit drei Befestigungsfedern für den Ring an sich im Teilkreis von 200 mm<P/></TEXT> Material: Steel, .

Article data	
Article no.	81025180
GTIN	4251433957782
Series name	KACIE MINI
Short description	Reduzierring zu Einbaudownlight
Material	Steel
Colour	Black
Type of surface	Structure
Shape	Round
Outer diameter	250 mm
Hight	1.5 mm
Weight	N.N.

Packing data	
Gross weight	N.N.
Length of packaging	N.N.
Packaging width	N.N.
Packaging hight	N.N.
Disposal at end of life	This product must not be disposed of with household waste. You are obliged, to dispose of such electrical waste separately. By disposing of electrical waste and other old or defective electronics separately, you support recycling or other forms of re-use. In that way you help to take care and to avoid that harmful substances get into the environment.

KACIE MINI Reduzierring zu Einbaudownlight
Article no. 81025180

Light.
For Generations.