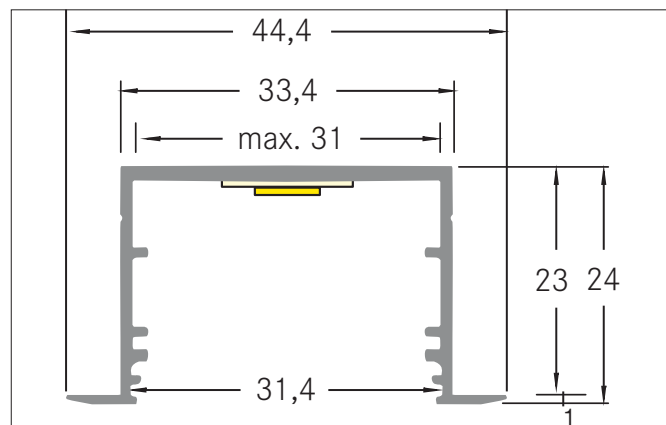


**P40-30 Segment LED recessed profile**

Article no. 73759080

Light.  
For Generations.**Tender**

Segment LED recessed profile, black anodized. For optimal attachment of the profile this holders are suitable 53036000. With the use of profile covers 53404000 53404070 53404080 the additional mechanical protection and optimal light distribution can be achieved. The associated end cap set is under 53025080 available. for Mounting method: Recessed mounting, Material: Aluminium, dimensions profile: length: 100 mm x width: 44,4 mm x height: 24 mm .

**Product Benefits**

- Large mounting profile.
- Up to 4 meters length in one piece. (For deliveries beyond 2000 mm: please ask for delivery costs separately).
- Matching covers available in transparent, opal and black.
- Available in anodized aluminum, white and black.
- Matching end caps available in anodized aluminum, white and black.

| Article data       |                              |
|--------------------|------------------------------|
| Article no.        | 73759080                     |
| GTIN               | 4251433971016                |
| Series name        | P40-30                       |
| Short description  | Segment LED recessed profile |
| Material           | Aluminium                    |
| Colour             | Black                        |
| Built-in width     | 33.4 mm                      |
| Installation depth | 23 mm                        |
| Length             | 100 mm                       |
| Width              | 44.4 mm                      |
| Height             | 24 mm                        |
| Weight             | 0.350 kg                     |

**P40-30 Segment LED recessed profile**

Article no. 73759080

Light.  
For Generations.

| Packing data            |   |
|-------------------------|---|
| Gross weight            | 0.6 kg  |
| Length of packaging     | 105 mm  |
| Packaging width         | 80 mm   |
| Packaging height        | 80 mm   |
| Note                    | Please note that the materials aluminium and PMMA or PC can expand differently with changes in temperature! At a temperature change of 10°C, the coefficient of expansion is approx. aluminium is approx. 0.7mm per metre, for plastic approx. 1.5mm per metre. This is not a defect in the product, this is a normal physical process. physical process.           |
| Disposal at end of life | This product must not be disposed of with household waste. You are obliged, to dispose of such electrical waste separately.<br>By disposing of electrical waste and other old or defective electronics separately, you support recycling or other forms of re-use. In that way you help to take care and to avoid that harmful substances get into the environment. |