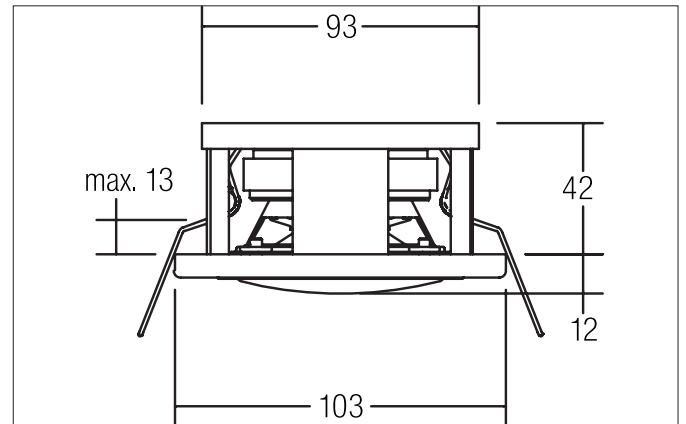


**RIVY Ceiling recessed speaker, DA 93 mm**

Article no. 3092.07

Light.  
For Generations.

IP20

**Tender**

Ceiling recessed speaker, DA 93 mm, white matt, Round. In a compact design, for installation in tool-less rapid assembly systems. Nominal / music load capacity: 6 / 8 W, impedance: 8 Ohm, Sound pressure level: 1 W / 1 m: 86 dB (at nominal output of 94 dB), Transmission range (-3 db): 250 - 20,000 Hz, Transmission range (-10 db): 170 - 21,000 Hz, Model: Front ring (plastic) and perforated plate cover in white, net weight: 0.4 kg Installation with built-in springs. Connection using 2-core cable with connecting terminals. Moisture-impregnated membrane: Restricted protection against moisture (not suitable for continuous operation in outdoor area). Material: Steel / plastic Mounting method: Recessed mounting, Place of installation: Ceiling-mounted, Material: Steel / Plastic, Degree of protection: according to DIN EN 60529 IP20, Adjustability: Not adjustable, .

Article data	
Article no.	3092.07
GTIN	4250047706410
Series name	RIVY
Short description	Ceiling recessed speaker, DA 93 mm
Material	Plastic
Colour	White
Type of surface	Matt
Shape	Round
Outer diameter	103 mm
Built-in diameter	93 mm
Installation depth	42 mm
Hight	12 mm
Weight	0.411 kg
Conformance	CE, UKCA

**RIVY Ceiling recessed speaker, DA 93 mm**

Article no. 3092.07

Light.  
For Generations.

Packing data	
Gross weight	0.486 kg
Length of packaging	150 mm
Packaging width	135 mm
Packaging height	125 mm
Disposal at end of life	<p>This product must not be disposed of with household waste. You are obliged, to dispose of such electrical waste separately.</p> <p>By disposing of electrical waste and other old or defective electronics separately, you support recycling or other forms of re-use. In that way you help to take care and to avoid that harmful substances get into the environment.</p>