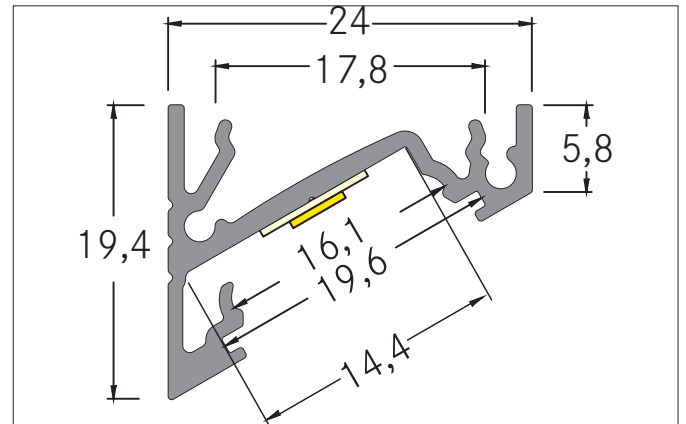


**P62-14 Surface-mounted corner profile**

Article no. 53702080

Light.  
For Generations.**Tender**

Surface-mounted corner profile P62-14, black. For optimal attachment of the profile this holders are suitable 53003000. For connecting of two profiles is the connector 53004000 optimal suited. With the use of profile covers 53402000 53402070 53402080 53432070 the additional mechanical protection and optimal light distribution can be achieved. The associated end cap set is under 53073080 available. for Mounting method: Corner profile, Material: Aluminium, dimensions profile: length: 2.000 mm x width: 24 mm x height: 19,4 mm .

**Product Benefits**

- Wide surface-mounted corner profile.
  - Available in white, black and anodized aluminum.
  - Up to 4 meters in length in one piece.
- (For deliveries beyond 2000 mm: please ask for delivery costs separately).
- Soft light emission due to higher cover.
  - Hidden fastening directly to the substrate.
  - Connecting piece 90° for rectangular application.

Article data	
Article no.	53702080
GTIN	4251433912231
Series name	P62-14
Short description	Surface-mounted corner profile
Material	Aluminium
Colour	Black
Length	2,000 mm
Width	24 mm
Hight	19.4 mm
Weight	0.420 kg

**P62-14 Surface-mounted corner profile**

Article no. 53702080

Light.  
For Generations.

Packing data	
Gross weight	0.83 kg
Length of packaging	2,020 mm
Packaging width	45 mm
Packaging height	45 mm
Note	Please note that the materials aluminium and PMMA or PC can expand differently with changes in temperature! At a temperature change of 10°C, the coefficient of expansion is approx. aluminium is approx. 0.7mm per metre, for plastic approx. 1.5mm per metre. This is not a defect in the product, this is a normal physical process.
Disposal at end of life	This product must not be disposed of with household waste. You are obliged, to dispose of such electrical waste separately. By disposing of electrical waste and other old or defective electronics separately, you support recycling or other forms of re-use. In that way you help to take care and to avoid that harmful substances get into the environment.