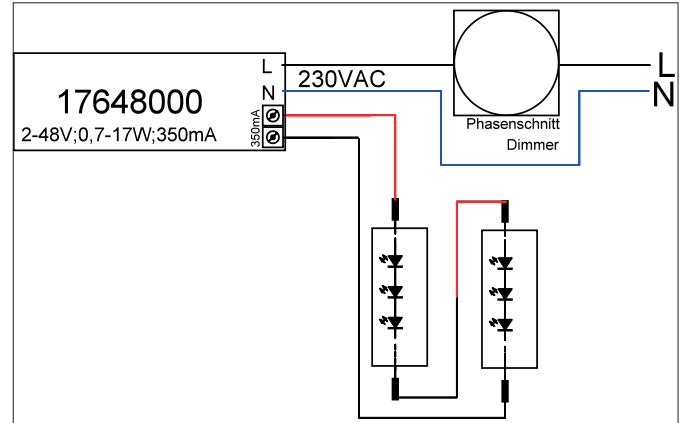


LED converter 350 mA, trailing-edge phase dimmable

Article no. 17648010

Light.
For Generations.**Tender**

LED converter 350 mA, trailing-edge phase dimmable, white, Rectangular. This driver fulfills the requirements for safety lighting systems in accordance with DIN EN 50172 VDE 0108-100:2005-01. This converter is equipped with safety devices which protect it against overvoltage, short-circuit as well as thermal and electric overloads. The input and output terminals are suitable for cables with a cross-section of up to 1.5 mm². Material: Plastic, Degree of protection: according to DIN EN 60529 IP20, Protection class: (EN 61140) II, Current: 350 mA, Voltage: 230V AC 50Hz, Power: 17 W, Dimmable: Yes, Control: Trailing-edge phase.

Article data	
Article no.	17648010
GTIN	4251433924548
Short description	LED converter 350 mA, trailing-edge phase dimmable
Material	Plastic
Colour	White
Shape	Rectangular
Length	166 mm
Width	46 mm
Height	34 mm
Weight	0.179 kg
stamp	ENEC 05, MM
Conformance	CE

LED converter 350 mA, trailing-edge phase dimmable

Article no. 17648010

Light.
For Generations.

Operating technology of driver	
AC nominal voltage min	198 V
AC nominal voltage max	264 V
Frequency min	50 Hz
Frequency max	60 Hz
Protection class	II
Degree of protection	IP20
Power min	0.7 W
Power	17 W
Output_ripple_current	3
Starting current	5A 50µs
Suitable for emergency lighting	No
measure point (tc)	75 °C
Version	without
Power factor	0.97
max. no. lights on B16 A	50
Output voltage max	47.00 V
Output voltage min.	2.00 V
Control	Trailing-edge phase
Number of poles	2
Environment temperature (ta)	-25 °C up to +50 °C
Measure point (tc)	max. +75 °C
Output current	350 mA

Packing data	
Gross weight	0.241 kg
Length of packaging	140 mm
Packaging width	110 mm
Packaging height	120 mm
Disposal at end of life	This product must not be disposed of with household waste. You are obliged, to dispose of such electrical waste separately. By disposing of electrical waste and other old or defective electronics separately, you support recycling or other forms of re-use. In that way you help to take care and to avoid that harmful substances get into the environment.