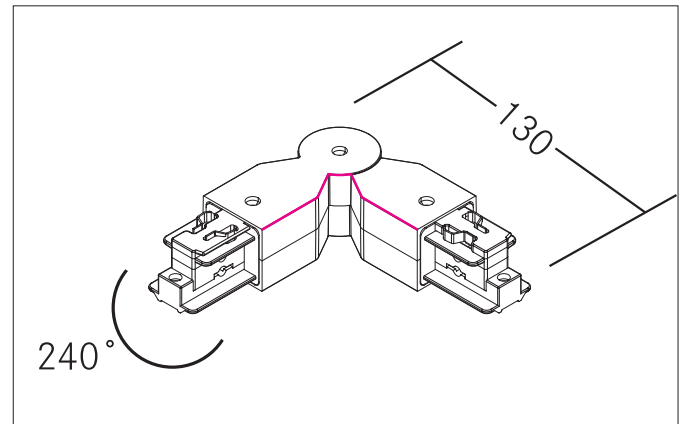
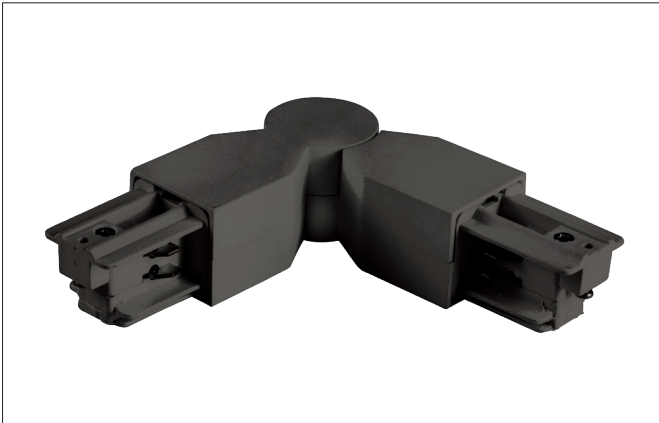


Flexible track connector

Artikel-Nr. 88134080

Licht.
Für Generationen.

Tender	
Flexible track connector, black.	

Article data	
Artikel-Nr.	88134080
GTIN	4251433917779
Kurzbeschreibung	Flexible track connector
Colour	Black
weight	0.177 kg

Packing data	
Gross weight	0.18 kg
Length of packaging	125 mm
Packaging width	125 mm
Packaging height	40 mm