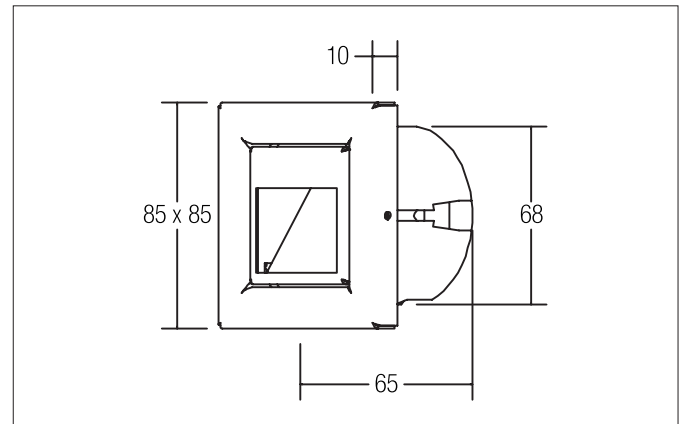


TIBELL-S LED wall recessed light

Article no. R3929W

Light.
For Generations.**Tender**

LED wall recessed light, Square. Ceiling cut-out Ø 68 mm, Installation depth 65 mm, Length 85 mm, Width 85 mm, Weight 0,400 kg, asymmetric optimal light distribution due to a Without cover cover. Luminous flux 60 lm, Power 1 x 1,2 W, Light colour neutral white, Correlated color temperature (CCT) 5.000 K, Colour rendering index CRI > 80, Housing material: Stainless steel / Aluminium / Plastic, Colour: White, Permissible ambient temperature (ta): -20 °C - +25 °C, Protection class (EN 61140): I, Degree of protection (DIN EN 60529): IP20, .With electronic driver, on/off switchable.

Article data	
Article no.	R3929W
GTIN	4250047758556
Series name	TIBELL-S
Short description	LED wall recessed light
Material	Stainless steel / Aluminium / Plastic
Colour	White
Type of surface	Structure
Shape	Square
Built-in diameter	68 mm
Installation depth	65 mm
Length	85 mm
Width	85 mm
Hight	10 mm
Weight	0.400 kg

TIBELL-S LED wall recessed light

Article no. R3929W

Light.
For Generations.

Lighting technology	
Colour temperature	5.000 K
Light colour	White
Luminous flux	60 lm
System efficiency	50 lm/W
Colour rendering	CRI > 80
Reflector	Matt
Light sharing	Asymmetric
Adjustable color temperature	No

Operating technology of the luminaire	
System output	1.2 W
Voltage type	AC
AC nominal voltage max	230 V
Frequenz max.	50 Hz
Lamp	LED
Lamp holder	Without fitting
Protection class	I
Degree of protection	IP20
Dimmable	No
Control	on/off
Bulb change possible	The light source of this luminaire may only be replaced by the manufacturer or a service technician commissioned by him or a similarly qualified person.

Mounting technology	
Mounting method	Recessed mounting
Place of installation	Wall-mounted
Adjustability	Not adjustable
Material cover	Without cover

Packing data	
Gross weight	0.43 kg
Length of packaging	95 mm
Packaging width	75 mm
Packaging height	95 mm
Disposal at end of life	This product must not be disposed of with household waste. You are obliged, to dispose of such electrical waste separately. By disposing of electrical waste and other old or defective electronics separately, you support recycling or other forms of re-use. In that way you help to take care and to avoid that harmful substances get into the environment.