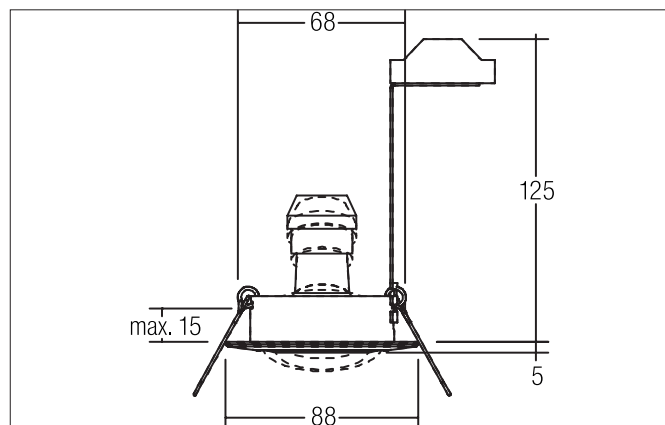


BREENA-R Recessed spot, GU 10

Article no. 36141030

Light.
For Generations.**Tender**

Recessed spot, GU10, chrome satin, Round. In a compact design, for installation in tool-less rapid assembly systems. Including bracket with GU10 socket for standard-compliant strain relief. Lamp holder: GU10, Mounting method: Recessed mounting, Place of installation: Ceiling-mounted, Material: Zinc casting / Aluminium casting, Degree of protection: according to DIN EN 60529 IP20, Protection class: (EN 61140) II, Voltage: 230V AC 50Hz, Power: 50 W, Amount of light sources / fittings: 1 Qty, Adjustability: Pivoted, without control gear, Control: Other.

Product Benefits

- Recessed spotlight in round design made of solid cast zinc and cast aluminum for LED retrofit lamps with GU10 base (incl. bracket for standardized strain relief). strain relief).
- Ceiling cut-out 68 mm, diameter 88 mm, installation depth 125 mm, IP20.
- Pivoting range 25°.
- Wide range of colors. Without visible snap ring.
- Classic, slightly curved design.
- Also available in the same look as a GX5.3 version, as a switchable and dimmable set (trailing edge).

BREENA-R Recessed spot, GU 10

Article no. 36 14 1030

Light.
For Generations.

| Article data | |
|--------------------|---------------------|
| Article no. | 36 14 1030 |
| GTIN | 4250047780373 |
| Series name | BREENA-R |
| Short description | Recessed spot, GU10 |
| Material | Cast iron |
| Colour | Chrome |
| Type of surface | Matt |
| Shape | Round |
| Outer diameter | 88 mm |
| Built-in diameter | 68 mm |
| Installation depth | 125 mm |
| Hight | 5 mm |
| Weight | 0.125 kg |
| stamp | UKCA |

| Operating technology of the luminaire | |
|---------------------------------------|------------------------|
| System output | 50 W |
| Voltage type | AC |
| AC nominal voltage max | 230 V |
| Frequency max | 50 Hz |
| Lamp | For LED-retrofill lamp |
| Lamp holder | GU 10 |
| Protection class | II |
| Degree of protection | IP20 |
| Control | Other |
| Bulb change possible | Yes |

| Mounting technology | |
|------------------------|---|
| Mounting method | Recessed mounting |
| Place of installation | Ceiling-mounted |
| Adjustability | Pivoted |
| Swivel angle | 25° |
| Max. ceiling thickness | 15 mm |
| Further references | No mounting box No cover with thermal insulation material |
| Material cover | Without cover |
| Circlip | Without circlip |

| Packing data | |
|-------------------------|---|
| Gross weight | 0.152 kg |
| Length of packaging | 140 mm |
| Packaging width | 110 mm |
| Packaging hight | 120 mm |
| Disposal at end of life | This product must not be disposed of with household waste. You are obliged, to dispose of such electrical waste separately. By disposing of electrical waste and other old or defective electronics separately, you support recycling or other forms of re-use. In that way you help to take care and to avoid that harmful substances get into the environment. |