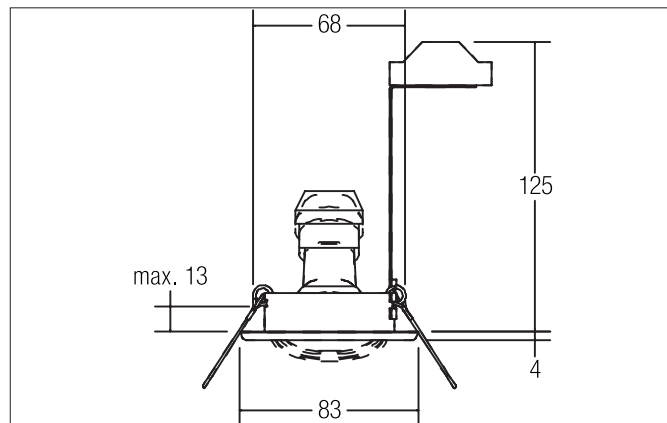


FALITO Recessed spot, GZ10

Article no. H2191.20

Light.
For Generations.**Tender**

Recessed spot, GZ10, stainless steel clear powdered, Round. In a compact design, for installation in tool-less rapid assembly systems. Including bracket with GZ10 socket for standard-compliant strain relief. Lamp holder: GU10, Mounting method: Recessed mounting, Place of installation: Ceiling-mounted, Material: Stainless steel, Degree of protection: according to DIN EN 60529 IP20, Protection class: (EN 61140) II, Voltage: 230V AC 50Hz, Power: 50 W, Amount of light sources / fittings: 1 Qty, Adjustability: Pivoted, without control gear, Control: Other.

Product Benefits

- Einbaustrahler in runder Bauform aus Edelstahl V2A für LED-Retrofit-Lampen mit Sockel GU10 / GZ10.
- Inkl. Bügel zur normgerechten Zugentlastung.
- Deckenausschnitt 68 mm, Durchmesser 83 mm, Einbautiefe 125 mm, IP20.
- Schwenkbereich 25°.
- Ausführung: mit Sprengring.
- Klassische, formal zurückgenommene Formgebung.
- In gleicher Optik auch als GX5,3-Ausführung lieferbar.

FALITO Recessed spot, GZ10

Article no. H2191.20

Light.
For Generations.

Article data	
Article no.	H2191.20
GTIN	4250047712732
Series name	FALITO
Short description	Recessed spot, GZ10
Material	Stainless steel
Colour	Stainless steel
Type of surface	Matt
Shape	Round
Outer diameter	80 mm
Built-in diameter	68 mm
Installation depth	125 mm
Hight	4 mm
Weight	0.140 kg

Operating technology of the luminaire	
System output	50 W
Voltage type	AC
AC nominal voltage max	230 V
Frequenz max.	50 Hz
Lamp	For LED-retrofill lamp
Lamp holder	GZ10
Protection class	II
Degree of protection	IP20
Control	Other
Bulb change possible	Yes

Mounting technology	
Mounting method	Recessed mounting
Place of installation	Ceiling-mounted
Adjustability	Pivoted
Swivel angle	25°
Max. ceiling thickness	13 mm
Further references	No cover with thermal insulation material
Material cover	Without cover

Packing data	
Gross weight	0.204 kg
Length of packaging	100 mm
Packaging width	100 mm
Packaging hight	100 mm
Disposal at end of life	This product must not be disposed of with household waste. You are obliged, to dispose of such electrical waste separately. By disposing of electrical waste and other old or defective electronics separately, you support recycling or other forms of re-use. In that way you help to take care and to avoid that harmful substances get into the environment.