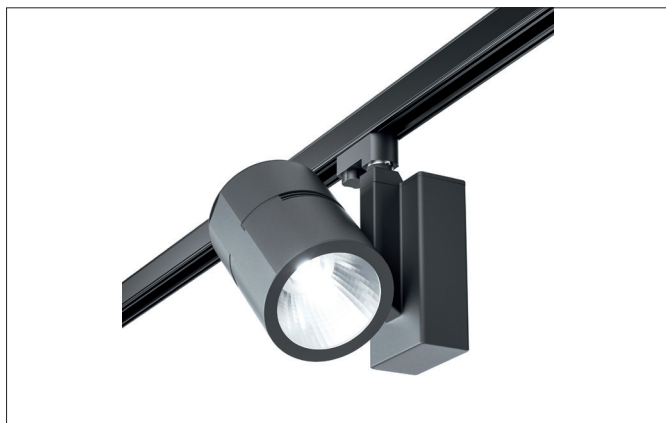


LED track spotlight 40 W with vertical converter

Article no. 89019227

Light.
For Generations.**Tender**

LED track spotlight 40 W with vertical converter, Round. Ceiling cut-out Installation depth mm, Outer diameter 126 mm, Weight 2,697 kg, with rotationssymmetrical, deep, wide distributed light intensity. Luminous flux 3.546 lm, Power 40 W, Light colour warm white, Correlated color temperature (CCT) 2.700 K, Colour rendering index CRI > 80, Housing material: Aluminium, Colour: Black, Permissible ambient temperature (ta): -20 °C - +25 °C, Protection class (EN 61140): I, Degree of protection (DIN EN 60529): IP20, .With electronic driver, DALI dimmable.

Article data	
Article no.	89019227
GTIN	4251433923749
Short description	LED track spotlight 40 W with vertical converter
Material	Aluminium
Colour	Black
Type of surface	Matt
Shape	Round
Outer diameter	126 mm
Length	218 mm
Width	126 mm
Height	221 mm
Weight	2.697 kg

LED track spotlight 40 W with vertical converter

Article no. 89019227

Light.
For Generations.

Lighting technology	
Colour temperature	2.700 K
Light colour	White
Luminous flux	3,546 lm
System efficiency	89 lm/W
Colour rendering	CRI > 80
Reflector	High-gloss
Beam angle	36°
Light sharing	Symmetric
Adjustable color temperature	No

Operating technology of the luminaire	
System output	40 W
Voltage type	AC
AC nominal voltage max	230 V
Frequenz max.	50 Hz
Lamp	LED
Protection class	I
Degree of protection	IP20
Control	DALI
Bulb change possible	The light source of this luminaire may only be replaced by the manufacturer or a service technician commissioned by him or a similarly qualified person.

Mounting technology	
Mounting method	Surface mounting
Place of installation	Ceiling-mounted
Adjustability	Rotatable and adjustable head
Swivel angle	180°
Rotation angle	355°
Suitable for through-wiring	No

Packing data	
Gross weight	3.244 kg
Length of packaging	200 mm
Packaging width	280 mm
Packaging height	280 mm
Disposal at end of life	This product must not be disposed of with household waste. You are obliged, to dispose of such electrical waste separately. By disposing of electrical waste and other old or defective electronics separately, you support recycling or other forms of re-use. In that way you help to take care and to avoid that harmful substances get into the environment.