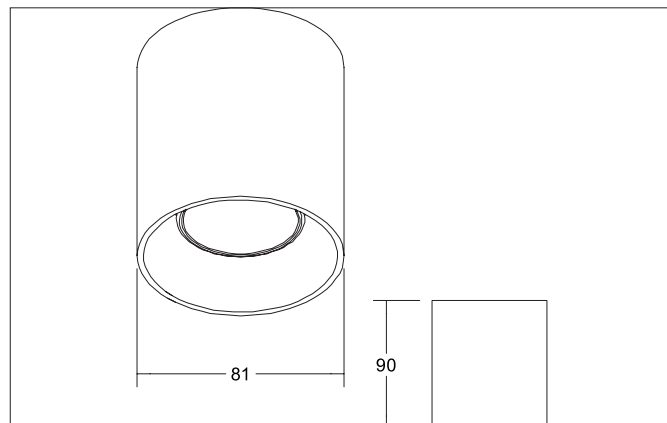


**TURN-R Surface mounted module for GU10 lamp**

Article no. 45130180

Light.  
For Generations.**Tender**

Surface mounted module for GU10 lamp, black structure, Round.Surface mounting, Ceiling-mountedModule for 1 x LED retrofit lamp  
 Mounting method: Surface mounting, Place of installation: Ceiling-mounted, Material: Aluminium, Degree of protection: according to DIN EN 60529 IP20, Protection class: (EN 61140) I, Voltage: 230V AC 50Hz, Power: 7.5 W, Amount of light sources / fittings: 1 Qty, Adjustability: Not adjustable, without control gear, Control: Other.

Article data	
Article no.	45130180
GTIN	4251433949183
Series name	TURN-R
Short description	Surface mounted module for GU10 lamp
Material	Aluminium
Colour	Black
Type of surface	Structure
Shape	Round
Outer diameter	81 mm
Hight	90 mm
Scope of delivery	with GU10 socket, without LED bulb
Weight	0.268 kg

**TURN-R Surface mounted module for GU10 lamp**

Article no. 45130180

Light.  
For Generations.

Operating technology of the luminaire	
Voltage type	AC
AC nominal voltage max	230 V
Frequenz max.	50 Hz
Protection class	I
Degree of protection	IP20
Control	Other
Bulb change possible	The light source of this luminaire may only be replaced by the manufacturer or a service technician commissioned by him or a similarly qualified person.

Mounting technology	
Mounting method	Surface mounting
Place of installation	Ceiling-mounted
Adjustability	Not adjustable
Material cover	Without cover

Packing data	
Gross weight	0.325 kg
Length of packaging	90 mm
Packaging width	90 mm
Packaging height	100 mm
Disposal at end of life	This product must not be disposed of with household waste. You are obliged, to dispose of such electrical waste separately. By disposing of electrical waste and other old or defective electronics separately, you support recycling or other forms of re-use. In that way you help to take care and to avoid that harmful substances get into the environment.