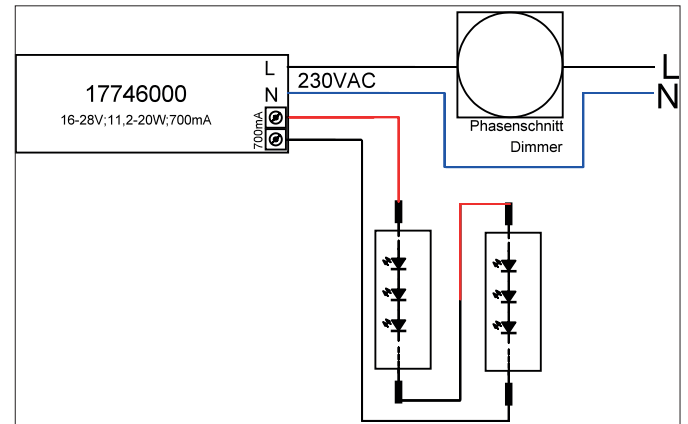


LED converter 700 mA, trailing-edge phase dimmable

Article no. 17746010

Light.
For Generations.**Tender**

LED converter 700 mA, trailing-edge phase dimmable, , Rectangular. This converter is equipped with safety devices which protect it against overvoltage, short-circuit as well as thermal and electric overloads. The input and output terminals are suitable for cables with a cross-section of up to 1.5 mm². Material: Plastic, Degree of protection: according to DIN EN 60529 IP20, Protection class: (EN 61140) II, Current: 700 mA, Voltage: 230V AC 50Hz , Power: 20 W, Dimmable: Yes, Control: Trailing-edge phase.

Article data	
Article no.	17746010
GTIN	4251433924074
Short description	LED converter 700 mA, trailing-edge phase dimmable
Material	Plastic
Shape	Rectangular
Length	110 mm
Width	52 mm
Height	22 mm
Scope of delivery	Plug&Play version with 110 mm P&P output cable
Weight	0.108 kg

LED converter 700 mA, trailing-edge phase dimmable

Article no. 17746010

Light.
For Generations.

Operating technology of driver	
AC nominal voltage min	198 V
AC nominal voltage max	264 V
Frequency min	50 Hz
Frequency max	60 Hz
Output current	700 mA
Protection class	II
Degree of protection	IP20
max. no. lights on B16 A	50
Starting current	2A 50µs
Power min	11.2 W
Power max.	20 W
Output_ripple_current	20
Suitable for emergency lighting	No
Control	Trailing-edge phase
Environment temperature (ta)	-25 °C up to +45 °C
Measure point (tc)	max. +75 °C
Version	without
Power factor	0.95

Packing data	
Gross weight	0.135 kg
Length of packaging	60 mm
Packaging width	27 mm
Packaging height	150 mm
Disposal at end of life	This product must not be disposed of with household waste. You are obliged, to dispose of such electrical waste separately. By disposing of electrical waste and other old or defective electronics separately, you support recycling or other forms of re-use. In that way you help to take care and to avoid that harmful substances get into the environment.