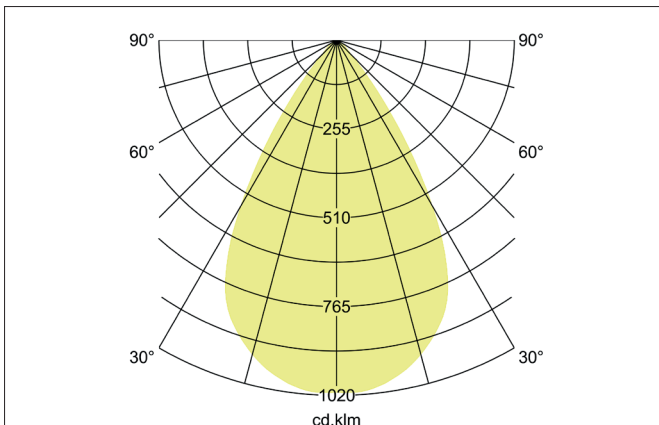
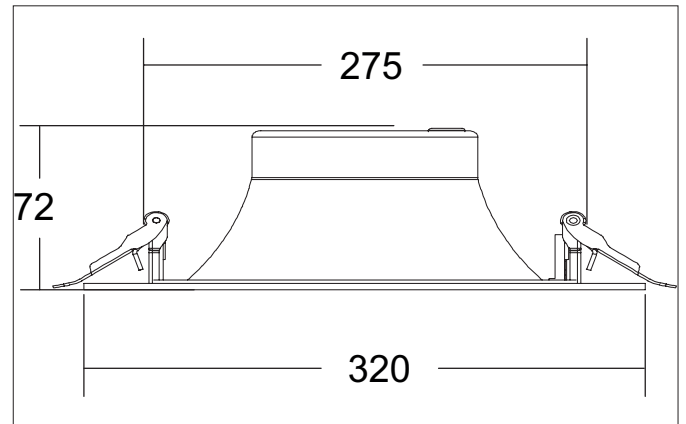


**DIOS MEGA LED recessed downlight, switchable**

Article no. 40674173

Light.  
For Generations.**Tender**

LED recessed downlight, switchable, Round. Toolless ceiling installation by installation springs. Ceiling cut-out Ø 300 mm, Installation depth 72 mm, Outer diameter 320 mm, Weight 0,700 kg. Reflector white with rotationssymmetrical, deep, wide distributed light intensity. optimal light distribution due to a plastic, transparent cover. Luminous flux 3.130 lm, UGR < 16, Power 1 x 23,8 W, Light colour warm white, Correlated color temprature (CCT) 3.000 K, Colour rendering index CRI > 90, Rated life time L80/B10 at 25 °C: 50000 h, Rated life time L80/B50 at 25 °C: 50000 h, Housing material: Aluminium / Glass / Plastic, Colour: White structure, Permissible ambient temperature (ta): -20 °C - +25 °C, Protection class (EN 61140): II, Degree of protection (DIN EN 60529): IP20, .With electronic driver, on/off switchable.

Article data	
Article no.	40674173
GTIN	4251433995753
Series name	DIOS MEGA
Short description	LED recessed downlight, switchable
Material	Aluminium / Glass / Plastic
Colour	White
Type of surface	Structure
Shape	Round
Outer diameter	320 mm
Built-in diameter_min	275 mm
Built-in diameter	300 mm
Installation depth	72 mm
Weight	0.700 kg

**DIOS MEGA LED recessed downlight, switchable**

Article no. 40674173

Light.  
For Generations.

Lighting technology	
Colour temperature	3.000 K
Light colour	White
Light output	Direct
Luminous flux	3,130 lm
System efficiency	132 lm/W
Colour rendering	CRI > 90
Reflector	Matt
Reflector colour	white
Beam angle	60°
Glare evaluation	UGR < 16
Light sharing	Symmetric
Adjustable color temperature	No

Operating technology of the luminaire	
System output	23.8 W
Voltage type	AC
AC nominal voltage max	230 V
Frequency max	50 Hz
Lamp	LED
Lamp holder	Without fitting
Protection class	II
Degree of protection	IP20
Control	on/off
Bulb change possible	The light source of this luminaire may only be replaced by the manufacturer or a service technician commissioned by him or a similarly qualified person.
Rated life time L80/B10 at 25 °C	50000 h
Rated life time L80/B50 at 25 °C	50000 h

Mounting technology	
Mounting method	Recessed mounting
Place of installation	Ceiling-mounted
Adjustability	Not adjustable
stamp	UKCA
Material cover	Plastic, transparent

Packing data	
Gross weight	1.2 kg
Length of packaging	340 mm
Packaging width	340 mm
Packaging height	100 mm
Disposal at end of life	This product must not be disposed of with household waste. You are obliged, to dispose of such electrical waste separately. By disposing of electrical waste and other old or defective electronics separately, you support recycling or other forms of re-use. In that way you help to take care and to avoid that harmful substances get into the environment.

Accessories	