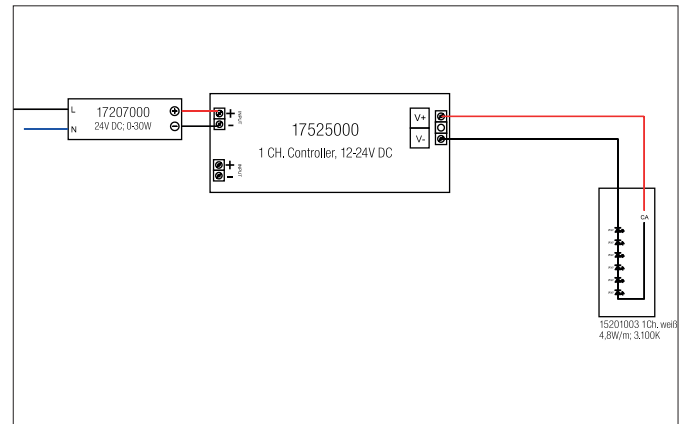


White light radio control
 Article no. 17525000

Light.
 For Generations.



Tender

Weißlicht Funksteuerung. White light radio controller for controlling the one-color LED modules in the white light range or for controlling dim2warm flexible printed circuit boards 15312003 / 15362003. Controller: voltage: 12-24 V DC, current: maximum 10 A (2 x 5 A or 3 x 3.33 A), power: maximum 120 W / 240 W (12 V DC / 24 V DC), control: negative (common anode), control signal: PWM, radio frequency: 869.5 MHz, range (visual contact): up to 20 m, ambient temperature (ta): 0 °C to +40 °C. Controller connection using screw terminals, (Dimensions: L 178 x W 46 x H 18 mm. Material: Plastic, delivery: including strain relief. Controller per remote control: maximum 4 (for optimum radio connection) Remote control: Voltage (battery): 4.5 V DC - 3 x AAA (not included in the scope of delivery), Radio frequency: 869.5 MHz, transmission power (Ps) <, 0 dBm, Range (visual contact): up to 20 m, Ambient temperature (ta): 0 °C to +40 °C, Dimensions: L 120 x W 48 x H 18 mm. Material: Plastic. Function scope:- On / Off. Dimming using a touch wheel - Save keys S1 / S2- Selection keys 25% / 50% / 75% / 100% brightness. Degree of protection: according to DIN EN 60529 IP20, Protection class: (EN 61140) III, Voltage: 12V 24V.

Article data	
Article no.	17525000
GTIN	4251433922575
Short description	White light radio control
Weight	0.000 kg

White light radio control

Article no. 17525000

Light.
For Generations.

Packing data	
Gross weight	0.086 kg
Length of packaging	150 mm
Packaging width	50 mm
Packaging height	25 mm
Disposal at end of life	<p>This product must not be disposed of with household waste. You are obliged, to dispose of such electrical waste separately.</p> <p>By disposing of electrical waste and other old or defective electronics separately, you support recycling or other forms of re-use. In that way you help to take care and to avoid that harmful substances get into the environment.</p>