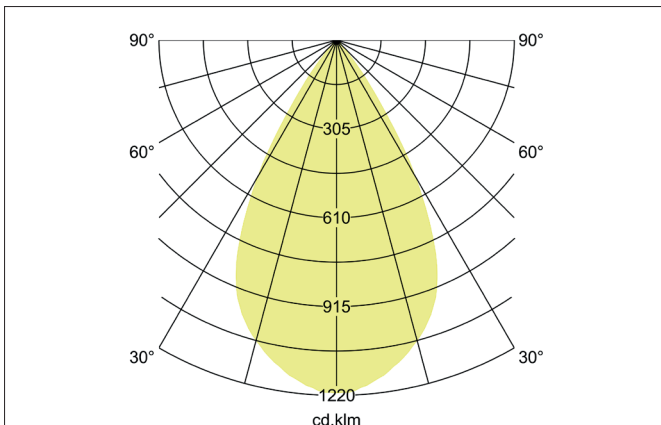
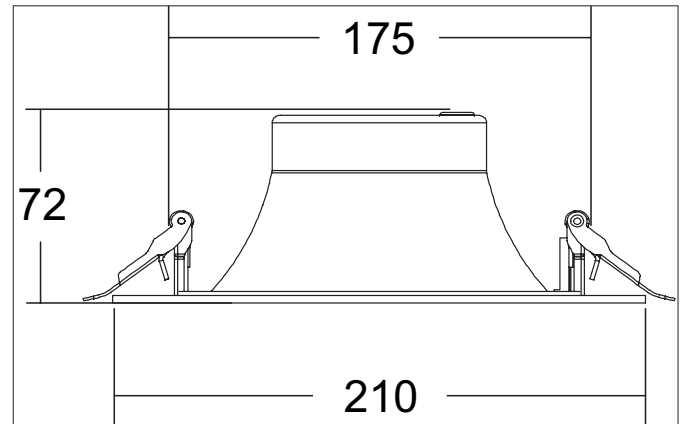


DIOS MINI LED recessed downlight, DALI
 Article no. 40671173DA

Light.
 For Generations.



Tender
 LED recessed downlight, DALI, Round. Toolless ceiling installation by installation springs. Ceiling cut-out Ø 195 mm, Installation depth 72 mm, Outer diameter 210 mm, Weight 0,400 kg. Reflector white with rotationssymmetrical, deep, wide distributed light intensity. optimal light distribution due to a plastic, transparent cover. Luminous flux 1.350 lm, UGR < 16, Power 1 x 9,7 W, Light colour warm white, Correlated color temprature (CCT) 3.000 K, Colour rendering index CRI > 90, Rated life time L80/B10 at 25 °C: 50000 h, Rated life time L80/B50 at 25 °C: 50000 h, Housing material: Aluminium / Glass / Plastic, Colour: White structure, Permissible ambient temperature (ta): -20 °C - +25 °C, Protection class (EN 61140): II, Degree of protection (DIN EN 60529): IP20, .With electronic driver, DALI-2 dimmable.

Article data	
Article no.	40671173DA
GTIN	4251433995814
Series name	DIOS MINI
Short description	LED recessed downlight, DALI
Material	Aluminium / Glass / Plastic
Colour	White
Type of surface	Structure
Shape	Round
Outer diameter	210 mm
Built-in diameter_min	175 mm
Built-in diameter	195 mm
Installation depth	72 mm
Weight	0.400 kg

DIOS MINI LED recessed downlight, DALI

Article no. 40671173DA

Light.
For Generations.

Lighting technology	
Colour temperature	3.000 K
Light colour	White
Light output	Direct
Luminous flux	1,350 lm
System efficiency	139 lm/W
Colour rendering	CRI > 90
Reflector	Matt
Reflector colour	white
Beam angle	58°
Glare evaluation	UGR < 16
Light sharing	Symmetric
Adjustable color temperature	No

Operating technology of the luminaire	
System output	9.7 W
Voltage type	AC
AC nominal voltage max	230 V
Frequency max	50 Hz
Lamp	LED
Lamp holder	Without fitting
Protection class	II
Degree of protection	IP20
Control	DALI-2
Bulb change possible	The light source of this luminaire may only be replaced by the manufacturer or a service technician commissioned by him or a similarly qualified person.
Rated life time L80/B10 at 25 °C	50000 h
Rated life time L80/B50 at 25 °C	50000 h

Mounting technology	
Mounting method	Recessed mounting
Place of installation	Ceiling-mounted
Adjustability	Not adjustable
stamp	UKCA
Further references	No cover with thermal insulation material
Material cover	Plastic, transparent

Packing data	
Gross weight	0.9 kg
Length of packaging	230 mm
Packaging width	230 mm
Packaging height	100 mm
Disposal at end of life	This product must not be disposed of with household waste. You are obliged, to dispose of such electrical waste separately. By disposing of electrical waste and other old or defective electronics separately, you support recycling or other forms of re-use. In that way you help to take care and to avoid that harmful substances get into the environment.

Accessories	