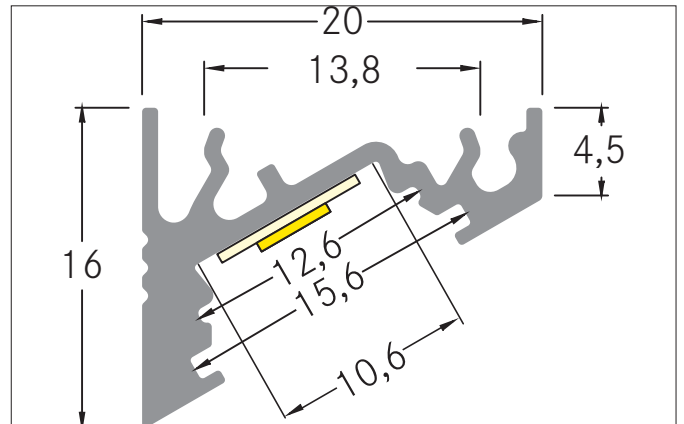


P60-10 Surface-mounted corner profile

Article no. 53700260

Light.
For Generations.**Tender**

Surface-mounted corner profile P60-10, silver. For optimal attachment of the profile this holders are suitable 53001000. For connecting of two profiles is the connector 53005000 optimal suited. With the use of profile covers 53400000 53400070 the additional mechanical protection and optimal light distribution can be achieved. The associated end cap set is under 53070260 available. for Mounting method: Corner profile, Material: Aluminium, dimensions profile: length: 2.000 mm x width: 20 mm x height: 16 mm .

Product Benefits

- Compact surface-mounted corner profile.
 - Alignment of the beam angle to 30° or 60° depending on the installation.
 - Up to 4 meters in length in one piece.
- (For deliveries beyond 2000 mm: Please ask for delivery costs separately).
- Can be used for corner constructions such as cabinet lighting or the kitchen work surface.

| Article data | |
|-------------------|--------------------------------|
| Article no. | 53700260 |
| GTIN | 4251433911890 |
| Series name | P60-10 |
| Short description | Surface-mounted corner profile |
| Material | Aluminium |
| Colour | Silver |
| Length | 2,000 mm |
| Width | 20 mm |
| Hight | 16 mm |
| Weight | 0.320 kg |

P60-10 Surface-mounted corner profile

Article no. 53700260

Light.
For Generations.

| Packing data | |
|-------------------------|---|
| Gross weight | 0.7 kg |
| Length of packaging | 30 mm |
| Packaging width | 30 mm |
| Packaging height | 2,000 mm |
| Note | Please note that the materials aluminium and PMMA or PC can expand differently with changes in temperature! At a temperature change of 10°C, the coefficient of expansion is approx. aluminium is approx. 0.7mm per metre, for plastic approx. 1.5mm per metre. This is not a defect in the product, this is a normal physical process. |
| Disposal at end of life | This product must not be disposed of with household waste. You are obliged, to dispose of such electrical waste separately. By disposing of electrical waste and other old or defective electronics separately, you support recycling or other forms of re-use. In that way you help to take care and to avoid that harmful substances get into the environment. |