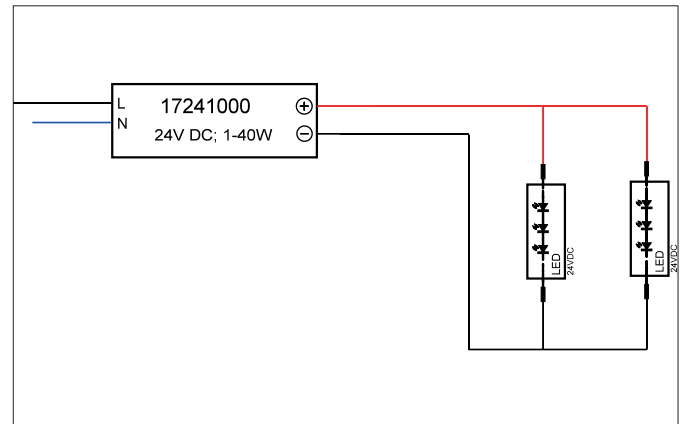


LED power supply 24 V DC, on/off switchable

Article no. 1724 1000

Light.
For Generations.



Tender

LED power supply 24 V DC, on/off switchable, , Rectangular. Material: Plastic, Degree of protection: according to DIN EN 60529 IP20, Protection class: (EN 61140) II, Voltage: 230V AC 50Hz, Power: 40 W, Dimmable: No, Control: on/off.

Article data	
Article no.	1724 1000
GTIN	4251433939054
Short description	LED power supply 24 V DC, on/off switchable
Material	Plastic
Shape	Rectangular
Length	210 mm
Width	40 mm
Hight	30 mm
Weight	0.290 kg
stamp	ENEC, MM
Conformance	CE

LED power supply 24 V DC, on/off switchable

Article no. 1724 1000

Light.
For Generations.

Operating technology of driver	
AC nominal voltage min	120 V
AC nominal voltage max	277 V
Frequency min	50 Hz
Frequency max	60 Hz
Output current	0,1 - 1670 mA
Protection class	II
Degree of protection	IP20
max. no. lights on C16 A	55
max. no. lights on B16 A	55
Starting current	11,6 A, 180 us
Power min	1 W
Power max.	40 W
Output_ripple_current	2
Suitable for emergency lighting	No
Control	on/off
Environment temperature (ta)	-20°C up to +45°C
Measure point (tc)	max. +85°C
Average nominal lifespan	50000 h
Power factor	0.97

Packing data	
Gross weight	0.308 kg
Length of packaging	45 mm
Packaging width	35 mm
Packaging height	220 mm
Disposal at end of life	This product must not be disposed of with household waste. You are obliged, to dispose of such electrical waste separately. By disposing of electrical waste and other old or defective electronics separately, you support recycling or other forms of re-use. In that way you help to take care and to avoid that harmful substances get into the environment.