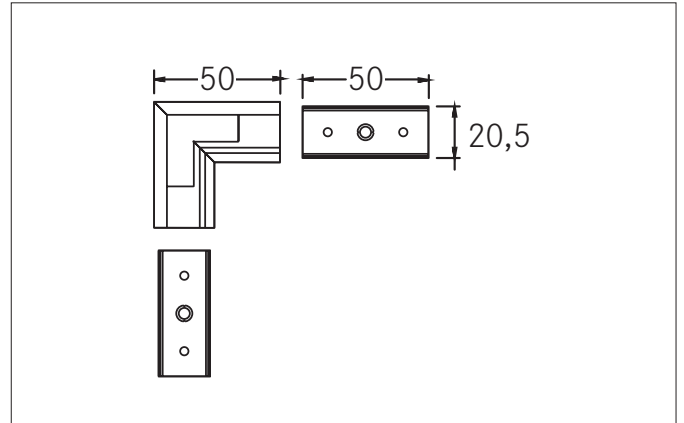
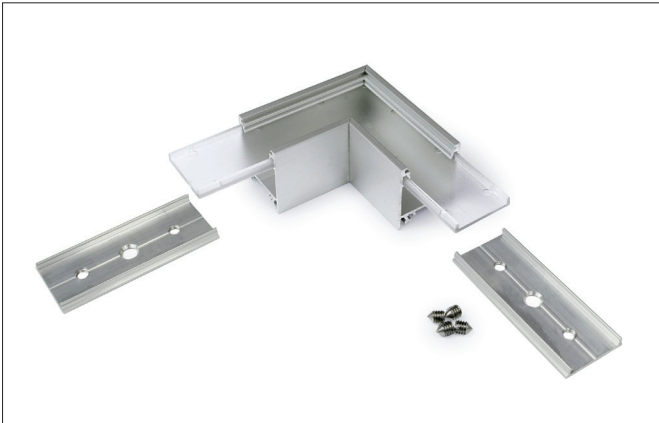


**P34-14 Connection piece 90°**

Article no. 53065260

Light.  
For Generations.**Tender**

Connection piece 90°, alu anodized. Material: Aluminium, dimensions profile: length: 50 mm x width: 50 mm x height: 8 mm

**Article data**

Article no.	53065260
GTIN	4251433912200
Series name	P34-14
Short description	Connection piece 90°
Material	Aluminium
Colour	Alu
Length	50 mm
Width	50 mm
Hight	8 mm
Weight	0.020 kg
Conformance	CE, UKCA

**Packing data**

Gross weight	0.022 kg
Length of packaging	80 mm
Packaging width	20 mm
Packaging hight	140 mm
Disposal at end of life	This product must not be disposed of with household waste. You are obliged, to dispose of such electrical waste separately. By disposing of electrical waste and other old or defective electronics separately, you support recycling or other forms of re-use. In that way you help to take care and to avoid that harmful substances get into the environment.