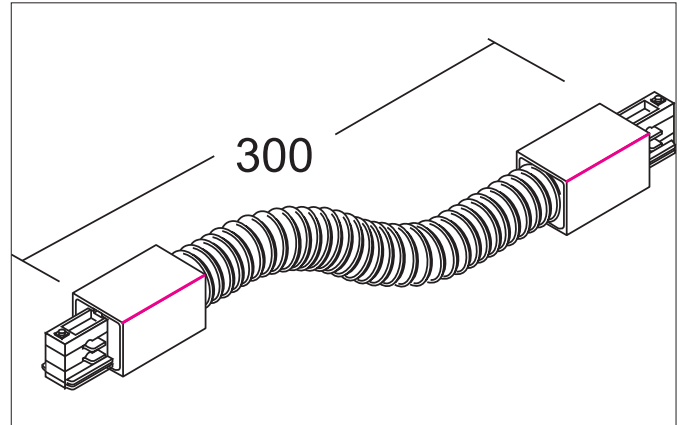


**Flexible connector**

Article no. 88131680



Tender	
Flexible connector for track 88101-88104, silver.	
Article data	
Article no.	88131680
GTIN	4250047778110
Short description	Flexible connector
Colour	Silver
Weight	0.216 kg
Conformance	CE, UKCA
Packing data	
Gross weight	0.23 kg
Length of packaging	385 mm
Packaging width	40 mm
Packaging height	40 mm
Disposal at end of life	<p>This product must not be disposed of with household waste. You are obliged, to dispose of such electrical waste separately.</p> <p>By disposing of electrical waste and other old or defective electronics separately, you support recycling or other forms of re-use. In that way you help to take care and to avoid that harmful substances get into the environment.</p>