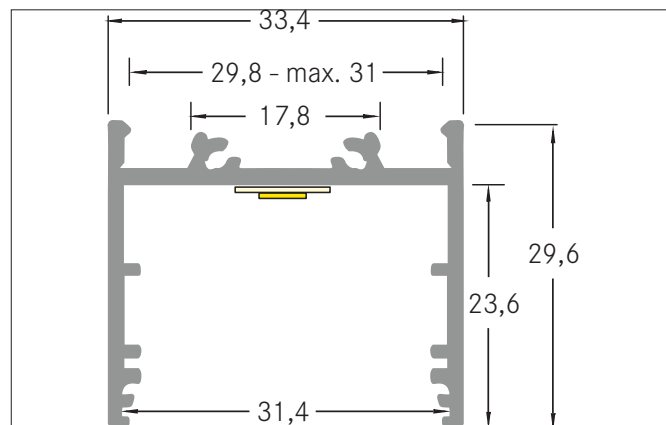
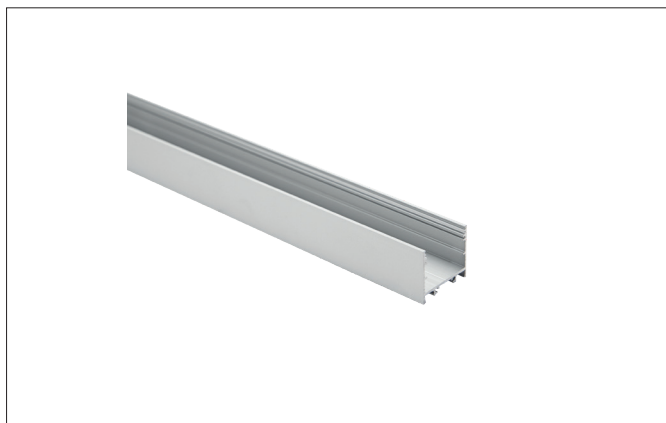


**P30-30 LED surface-mounted profile**

Article no. 53606260

Light.  
For Generations.**Tender**

LED surface-mounted profile, alu anodized. For optimal attachment of the profile this holders are suitable 53035000. With the use of profile covers 53404000 53404070 53404080 the additional mechanical protection and optimal light distribution can be achieved. The associated end cap set is under 53024260 available. for Mounting method: Mounting profile. Material: Aluminium, dimensions profile: length: 2.000 mm x width: 33,4 mm x height: 29,6 mm .

**Product Benefits**

- Large mounting profile.
- Up to 4 meters in length in one piece. (For deliveries beyond 2,000 mm: please ask for delivery costs separately)
- Matching covers available in transparent, opal and black.
- Available in anodized aluminum, white and black.
- Matching end caps available in anodized aluminum, white and black.

Article data	
Article no.	53606260
GTIN	4251433958567
Series name	P30-30
Short description	LED surface-mounted profile
Material	Aluminium
Colour	Alu
Length	2,000 mm
Width	33.4 mm
Hight	29.6 mm
Weight	0.732 kg

**P30-30 LED surface-mounted profile**

Article no. 53606260

Light.  
For Generations.

Packing data	
Gross weight	1.15 kg
Length of packaging	2,050 mm
Packaging width	80 mm
Packaging height	80 mm
Note	Please note that the materials aluminium and PMMA or PC can expand differently with changes in temperature! At a temperature change of 10°C, the coefficient of expansion is approx. aluminium is approx. 0.7mm per metre, for plastic approx. 1.5mm per metre. This is not a defect in the product, this is a normal physical process.
Disposal at end of life	This product must not be disposed of with household waste. You are obliged, to dispose of such electrical waste separately. By disposing of electrical waste and other old or defective electronics separately, you support recycling or other forms of re-use. In that way you help to take care and to avoid that harmful substances get into the environment.