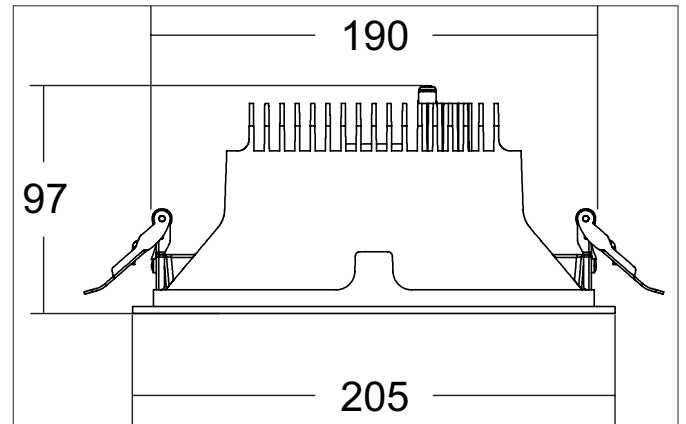


APOLLO MAXI LED downlight, round, DALI
Article no. 41614165DALight.
For Generations.**Tender**

LED downlight, round, DALI, Round. Toolless ceiling installation by installation springs. Ceiling cut-out Ø 190 mm, Installation depth 97 mm, Outer diameter 205 mm, Weight 0,670 kg. Reflector silver with rotationssymmetrical, deep, wide distributed light intensity. optimal light distribution due to a plastic, transparent cover. Luminous flux 2.655 lm, Power 1 x 20,5 W, Light colour neutral white, Correlated color temperature (CCT) 3.500 K, Colour rendering index CRI > 90, Rated life time L80/B10 at 25 °C: 50.000 h, Rated life time L80/B50 at 25 °C: 50.000 h, Housing material: Aluminium / Glass / Plastic, Colour: Silver structure, Permissible ambient temperature (ta): -20 °C - +25 °C, Protection class (EN 61140): II, Degree of protection (DIN EN 60529): IP20, .With electronic driver, DALI-2 dimmable.

| Article data | |
|--------------------|-----------------------------|
| Article no. | 41614165DA |
| GTIN | 4251433989325 |
| Series name | APOLLO MAXI |
| Short description | LED downlight, round, DALI |
| Material | Aluminium / Glass / Plastic |
| Colour | Silver |
| Type of surface | Structure |
| Shape | Round |
| Outer diameter | 205 mm |
| Built-in diameter | 190 mm |
| Installation depth | 97 mm |
| Weight | 0.670 kg |

APOLLO MAXI LED downlight, round, DALI

Article no. 41614165DA

Light.
For Generations.

| Lighting technology | |
|------------------------------|-----------|
| Colour temperature | 3.500 K |
| Light colour | White |
| Light output | Direct |
| Luminous flux | 2,655 lm |
| System efficiency | 130 lm/W |
| Colour rendering | CRI > 90 |
| Reflector | Faceted |
| Reflector colour | silver |
| Beam angle | 55° |
| Light sharing | Symmetric |
| Adjustable color temperature | No |

| Operating technology of the luminaire | |
|---------------------------------------|--|
| System output | 20.5 W |
| Voltage type | AC |
| AC nominal voltage max | 230 V |
| Frequency max | 50 Hz |
| Lamp | LED |
| Lamp holder | Without fitting |
| Protection class | II |
| Degree of protection | IP20 |
| Control | DALI-2 |
| Bulb change possible | The light source of this luminaire may only be replaced by the manufacturer or a service technician commissioned by him or a similarly qualified person. |
| Rated life time L80/B10 at 25 °C | 50.000 h |
| Rated life time L80/B50 at 25 °C | 50.000 h |

| Mounting technology | |
|-----------------------------|---|
| Mounting method | Recessed mounting |
| Place of installation | Ceiling-mounted |
| Adjustability | Not adjustable |
| stamp | UKCA |
| Further references | No cover with thermal insulation material |
| Material cover | Plastic, transparent |
| Suitable for through-wiring | No |

| Packing data | |
|-------------------------|---|
| Gross weight | 0.7 kg |
| Length of packaging | 205 mm |
| Packaging width | 205 mm |
| Packaging height | 90 mm |
| Disposal at end of life | This product must not be disposed of with household waste. You are obliged, to dispose of such electrical waste separately. By disposing of electrical waste and other old or defective electronics separately, you support recycling or other forms of re-use. In that way you help to take care and to avoid that harmful substances get into the environment. |

| Required accessories | |
|----------------------|--|
| | |