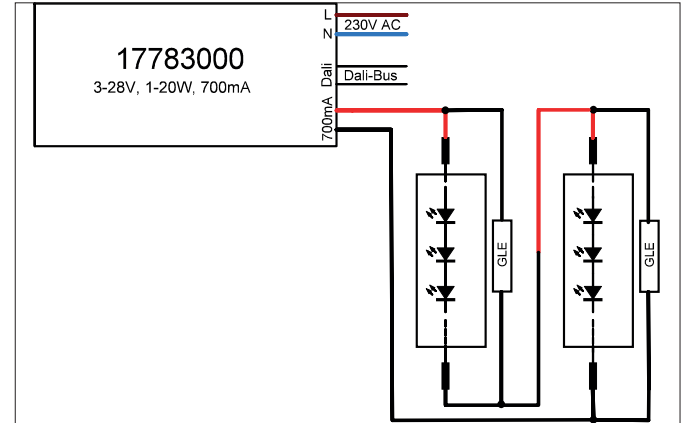


**LED converter 700 mA, DALI dimmable, (digital)**  
Article no. 17783020

Light.  
For Generations.



#### Tender

LED converter 700 mA, DALI dimmable, (digital), Rectangular. This converter is equipped with safety devices which protect it against over-voltage, short-circuit as well as thermal and electric overloads. The input and output terminals are suitable for cables with a cross-section of up to 0.75-1.5 mm<sup>2</sup>. Material: Plastic, Degree of protection: according to DIN EN 60529 IP20, Protection class: (EN 61140) II, Current: 700 mA, Voltage: 230V AC 50Hz, Power: 20 W, Dimmable: Yes, Control: DALI-2.

Article data	
Article no.	17783020
GTIN	4251433924166
Short description	LED converter 700 mA, DALI dimmable, (digital)
Material	Plastic
Shape	Rectangular
Length	110 mm
Width	52 mm
Height	22 mm
Scope of delivery	Plug&Play version with 110 mm P&P output cable
Weight	0.176 kg
stamp	ENEC 05, MM, EL

**LED converter 700 mA, DALI dimmable, (digital)**

Article no. 17783020

Light.  
For Generations.

Operating technology of driver	
AC nominal voltage min	99 V
AC nominal voltage max	264 V
Frequency min	50 Hz
Frequency max	60 Hz
DC nominal voltage min	176 V
DC nominal voltage max	280 V
Output current	700 mA
Protection class	II
Degree of protection	IP20
Starting current	5A 50 $\mu$ s
Power min	2.1 W
Power	20 W
Output_ripple_current	3
Suitable for emergency lighting	No
Control	DALI-2
Environment temperature (ta)	-25 °C up to +45 °C
Measure point (tc)	max. +75 °C
Version	Plug&Play + connection box
Power factor	0.95

Packing data	
Gross weight	0.23 kg
Length of packaging	90 mm
Packaging width	55 mm
Packaging height	109 mm
Disposal at end of life	This product must not be disposed of with household waste. You are obliged, to dispose of such electrical waste separately. By disposing of electrical waste and other old or defective electronics separately, you support recycling or other forms of re-use. In that way you help to take care and to avoid that harmful substances get into the environment.