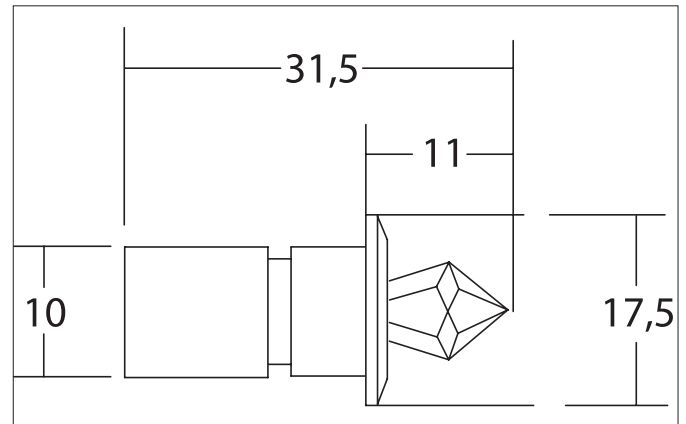


**FIBATEC Crystal exit element, for fiber S2 and S2M**

Artikel-Nr. 9731.05

Licht.  
Für Generationen.**Tender**

Crystal exit element, for fiber S2 and S2M, goldMaterial: brass / crystal glass with facet cut, outer diameter: Ø 17.5 mm, height without crystal: 1.5 mm, height with crystal: 11 mm, Installation depth without fiber: 20 mm, installation depth with fiber: 100 mm, drill diameter: Ø 10 mm, fastening type: glue (using Brumberg adhesive 48290000).

Article data	
Artikel-Nr.	9731.05
GTIN	4250047719489
Series name	FIBATEC
Kurzbeschreibung	Crystal exit element, for fiber S2 and S2M
Material	Brass / Crystal glass
Colour	Gold
Shape	round
weight	0.011 kg

Packing data	
Gross weight	0.026 kg
Length of packaging	70 mm
Packaging width	47 mm
Packaging height	81 mm