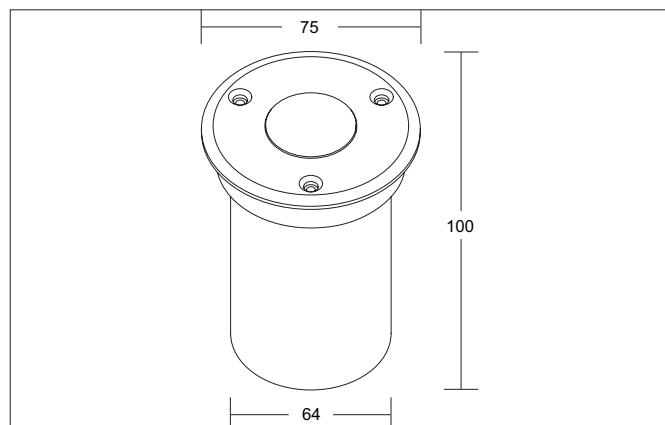


**Floor recessed light**

Article no. P3816R

Light.  
For Generations.**Tender**

Floor recessed light, Round. Ceiling cut-out Installation depth mm, Weight 0,170 kg, ,with Lamp holder Plug&Play max: 1 W , Delivery without bulb.Housing material: Stainless steel / Glass, Colour: Stainless steel, Permissible ambient temperature (ta): -20 °C - +25 °C, Protection class (EN 61140): III, Degree of protection (DIN EN 60529): ,.For connection to an external driver, which is not included in the scope of delivery of the luminaire. Depending on driver dimmable.

Article data	
Article no.	P3816R
GTIN	4250047741824
Short description	Floor recessed light
Material	Stainless steel / Glass
Colour	Stainless steel
Shape	Round
Weight	0.170 kg

Lighting technology	
System efficiency	1 lm/W

Operating technology of the luminaire	
Current	350 mA
Lamp	LED not changeable
Lamp holder	Plug&Play
Protection class	III
Control	Depending on driver

**Floor recessed light**

Article no. P3816R

Light.  
For Generations.

Mounting technology	
Mounting method	Recessed mounting
Place of installation	Floor-mounted
Adjustability	Not adjustable
Over rollable	No

Packing data	
Gross weight	0.449 kg
Length of packaging	110 mm
Packaging width	85 mm
Packaging height	85 mm
Disposal at end of life	This product must not be disposed of with household waste. You are obliged, to dispose of such electrical waste separately. By disposing of electrical waste and other old or defective electronics separately, you support recycling or other forms of re-use. In that way you help to take care and to avoid that harmful substances get into the environment.