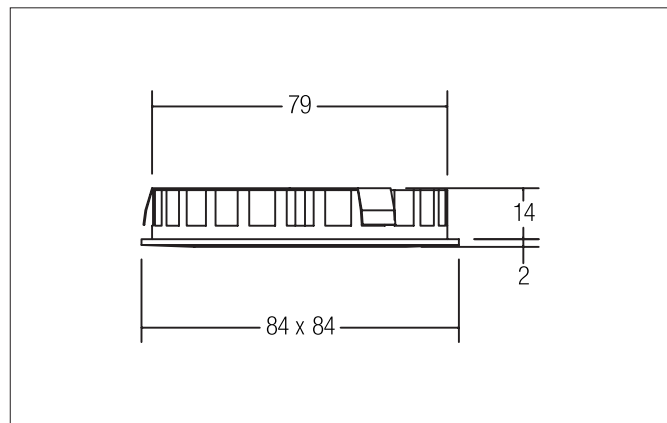


SINCINDA MAXI-S LED recessed downlight, IP44

Article no. 12130024

Light.
For Generations.**Tender**

LED recessed downlight, IP44, Square. Toolless ceiling installation by leaf spring. Ceiling cut-out \varnothing 79 mm, Installation depth 14 mm, Length 85 mm, Width 85 mm, Weight 0,137 kg, with rotationssymmetrical, deep, wide distributed light intensity. optimal light distribution due to a plastic, opal cover. Power 1 x 6 W, Light colour neutral white, Correlated color temprature (CCT) 4.000 K, Colour rendering index CRI 85, Housing material: Die-cast aluminium / Plastic, Colour: Chrome, Permissible ambient temperature (t_a): $-20\text{ }^{\circ}\text{C}$ - $+25\text{ }^{\circ}\text{C}$, Protection class (EN 61140): III, Degree of protection (DIN EN 60529): IP44, .For connection to an external driver, which is not included in the scope of delivery of the luminaire. Depending on driver dimmable.

SINCINDA MAXI-S LED recessed downlight, IP44

Article no. 12130024

Light.
For Generations.

Article data	
Article no.	12130024
GTIN	4251433905899
Series name	SINCINDA MAXI-S
Short description	LED recessed downlight, IP44
Material	Die-cast aluminium / Plastic
Colour	Chrome
Type of surface	Glossy
Shape	Square
Built-in diameter_min	79 mm
Built-in diameter	79 mm
Installation depth	14 mm
Length	85 mm
Width	85 mm
Hight	2 mm
Scope of delivery	Including 2,000 mm connecting cable
Weight	0.137 kg
stamp	MM, UKCA
Conformance	CE, UKCA

Lighting technology	
Colour temperature	4.000 K
Light output	Direct
System efficiency	8 lm/W
Colour rendering	CRI 85
Reflector	Without
Beam angle	60°
Light sharing	Symmetric
Adjustable color temperature	No

Operating technology of the luminaire	
Voltage type	DC
DC nominal voltage max	12 V
Lamp	LED
Protection class	III
Degree of protection	IP44
Protection class on the ceiling side	IP20
Dimmable	Depending on type of control gear
Control	Depending on driver
Bulb change possible	The light source of this luminaire may only be replaced by the manufacturer or a service technician commissioned by him or a similarly qualified person.





Mounting technology	
Mounting method	Recessed mounting
Place of installation	Ceiling-mounted
Adjustability	Not adjustable
Further references	No cover with thermal insulation material
Material cover	Plastic, opal

SINCINDA MAXI-S LED recessed downlight, IP44

Article no. 12130024

Light.
For Generations.

Packing data	
Gross weight	0.162 kg
Length of packaging	90 mm
Packaging width	55 mm
Packaging height	109 mm
Disposal at end of life	This product must not be disposed of with household waste. You are obliged, to dispose of such electrical waste separately. By disposing of electrical waste and other old or defective electronics separately, you support recycling or other forms of re-use. In that way you help to take care and to avoid that harmful substances get into the environment.

Accessories	
	Article no.: 17106000 LED power supply 12 V DC, on/off switchable Power: 1 - 15 W Dimensions: 105 mm x 49 mm x 18 mm
	Article no.: 17110000 LED power supply 12 V DC, on/off switchable Power: 1 - 30 W Dimensions: 185 mm x 48 mm x 20 mm
	Article no.: 17107000 6-way distributor 12 V DC for 17106/17110 Leistung: 30 W
	Article no.: 17108000 Extension cable 12 V DC for 17106/17110/17107