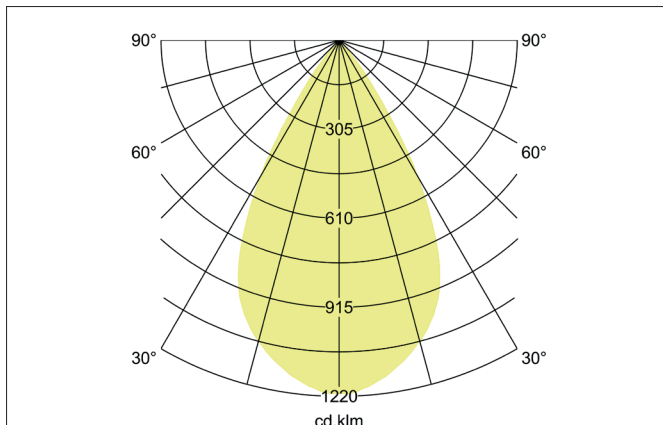
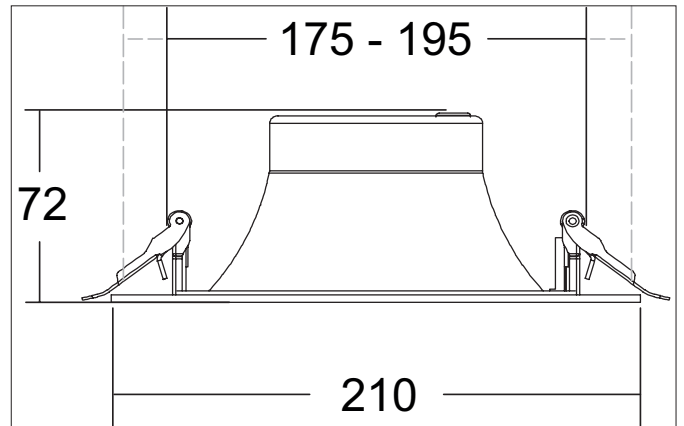


**DIOS MINI LED recessed downlight, switchable**

Article no. 40671164


**Tender**

LED recessed downlight, switchable, Round. Toolless ceiling installation by installation springs. Ceiling cut-out Ø 195 mm, Installation depth 72 mm, Outer diameter 210 mm, Weight 0,400 kg, Reflector white with rotationssymmetrical, deep, wide distributed light intensity. Cover plastic, transparent. Luminous flux 1.365 lm, UGR < 16, Power 1 x 9,7 W, Light colour neutral white, Correlated color temperature (CCT) 4.000 K, Colour rendering index CRI > 90, Rated life time L80/B10 at 25 °C: 50.000 h, Rated life time L80/B50 at 25 °C: 50.000 h, Housing material: Aluminium / Glass / Plastic, Colour: Silver structure, Permissible ambient temperature (ta): -20 °C - +25 °C, Protection class (EN 61140): II, Degree of protection (DIN EN 60529): IP20. With electronic driver, on/off switchable.

**Product Benefits**

- Vertiefter Lichtaustritt mit Blendungsbewertung UGR<16.
- Breiter Leuchtenrand für ein Einbaumaß von 175 - 195 mm (vermeidet u. U. den Bedarf eines Reduzierringes).
- Homogene Farbgebung durch gleichfarbige Ausführung von Reflektor und Außenring (strukturweiß, strukturschwarz, struktursilber).
- Konverter mit großem Anschlußraum zur einfachen, schnellen und komfortablen Inbetriebnahme.
- Schaltbare Version - in gleichen Abmessungen auch dimmbar lieferbar (DALI-2, Push Dim).
- Lieferbar in 3.000 K oder 4.000 K.
- Multilumen-Ausführung (werkseitig eingestellter Konstantstrom 250 mA).
- Weitere Stromeinstellungen bauseits möglich: 100 mA, 150 mA, 200 mA.
- BEG-förderfähig (Systemeffizienz > 120 lm / W).

**DIOS MINI LED recessed downlight, switchable**

Article no. 40671164

Article data	
Article no.	40671164
GTIN	4251433996255
Series name	DIOS MINI
Short description	LED recessed downlight, switchable
Material	Aluminium / Glass / Plastic
Colour	Silver
Type of surface	Structure
Shape	Round
Outer diameter	210 mm
Built-in diameter min.	175 mm
Built-in diameter	195 mm
Installation depth	72 mm
Weight	0.400 kg
Conformance	CE, UKCA

Lighting technology	
Colour temperature	4.000 K
Light colour	White
Light output	Direct
Luminous flux	1,365 lm
System efficiency	141 lm/W
Colour rendering	CRI > 90
Reflector	Matt
Reflector colour	silver
Beam angle	58°
Glare evaluation	UGR < 16
Light sharing	Symmetric
Adjustable color temperature	No

Operating technology of the luminaire	
System output	9.7 W
Voltage type	AC
AC nominal voltage max	230 V
Frequency max	50 Hz
Lamp	LED
Lamp holder	Without fitting
Protection class	II
Degree of protection	IP20
Dimmable	No
Control	on/off
Bulb change possible	The light source of this luminaire may only be replaced by the manufacturer or a service technician commissioned by him or a similarly qualified person.
Rated life time L80/B10 at 25 °C	50.000 h
Rated life time L80/B50 at 25 °C	50.000 h

Mounting technology	
Mounting method	Recessed mounting
Place of installation	Ceiling-mounted
Adjustability	Not adjustable
Max. ceiling thickness	25 mm
Further references	No cover with thermal insulation material
Material cover	Plastic, transparent
Suitable for through-wiring	Yes

**DIOS MINI LED recessed downlight, switchable**

Article no. 40671164

Packing data	
Gross weight	0.9 kg
Length of packaging	230 mm
Packaging width	230 mm
Packaging height	100 mm
Disposal at end of life	<p>This product must not be disposed of with household waste. You are obliged, to dispose of such electrical waste separately.</p> <p>By disposing of electrical waste and other old or defective electronics separately, you support recycling or other forms of re-use. In that way you help to take care and to avoid that harmful substances get into the environment.</p>