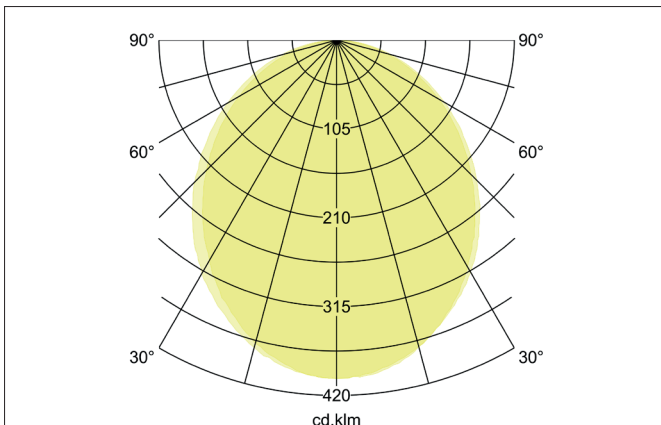
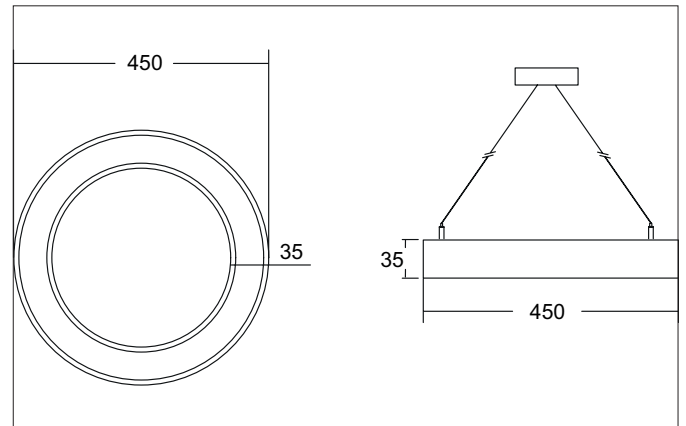
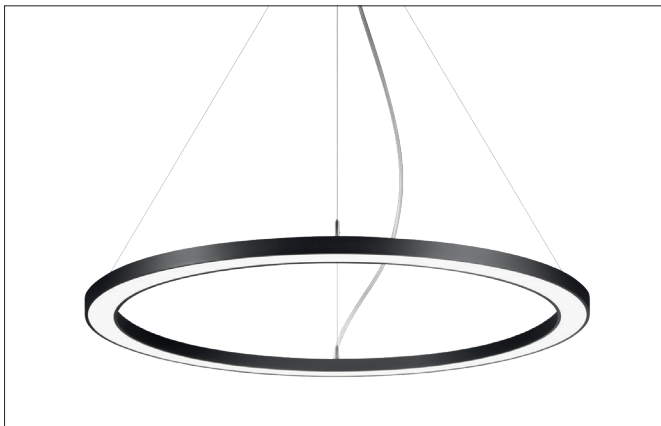


**BIRO CIRCLE LED pendant ring light, direct/indirect, dimmbar**

Article no. 13925184

Light.  
For Generations.**Tender**

LED pendant ring light, direct/indirect, dimmbar, Round. Luminaire diameter 450.0 mm, Height 35.0 mm, for pendulum mounting. Pendulum length max. 5000.0 mm Weight 3.0 kg, with rotationssymmetrical, deep, wide distributed light intensity. optimal light distribution due to a plastic, opal cover. Luminous flux 3.603 lm, Power 1 x 30 W, Light colour neutral white, Correlated color temperature (CCT) 4.000 K, Colour rendering index CRI > 80, Rated life time L70/B50 at 25 °C: 276.000 h, Rated life time L80/B20 at 25 °C: 153.000 h, Housing material: Aluminium / Steel / Plastic, Colour: Black structure, Permissible ambient temperature (ta): -20 °C - +25 °C, Protection class (EN 61140): I, Degree of protection (DIN EN 60529): IP20, .With electronic driver, on/off switchable.

| Article data      |   |
|-------------------|---|
| Article no.       | 13925184  |
| GTIN              | 4251433969181   |
| Series name       | BIRO CIRCLE   |
| Short description | LED pendant ring light, direct/indirect, dimmbar      |
| Material          | Aluminium / Steel / Plastic                           |
| Colour            | Black   |
| Type of surface   | Structure   |
| Shape             | Round   |
| Outer diameter    | 450 mm  |
| Height            | 35 mm   |
| Scope of delivery | incl. converter for connection to 230 V mains voltage |
| Weight            | 3.000 kg  |

**BIRO CIRCLE LED pendant ring light, direct/indirect, dimmbar**

Article no. 13925184

Light.  
For Generations.

| Lighting technology          |               |
|------------------------------|---------------|
| Colour temperature           | 4.000 K       |
| Light colour                 | White         |
| Light output                 | Direct        |
| Luminous flux                | 3,603 lm      |
| System efficiency            | 120 lm/W      |
| McAdam-Step                  | McAdam-Step 3 |
| Colour rendering             | CRI > 80      |
| Reflector                    | Without       |
| Beam angle                   | 110°          |
| Light sharing                | Symmetric     |
| Adjustable color temperature | No            |

| Operating technology of the luminaire |  |
|---------------------------------------|--|
| System output                         | 30 W   |
| Voltage type                          | AC   |
| AC nominal voltage max                | 230 V  |
| Frequenz max.                         | 50 Hz  |
| Lamp                                  | LED  |
| Lamp holder                           | Without fitting  |
| Protection class                      | I  |
| Degree of protection                  | IP20   |
| Control                               | on/off   |
| Bulb change possible                  | The light source of this luminaire may only be replaced by the manufacturer or a service technician commissioned by him or a similarly qualified person. |
| Rated life time L70/B50 at 25 °C      | 276,000 h  |
| Rated life time L80/B20 at 25 °C      | 153.000 h  |
| Rated life time L90/B10 at 25 °C      | 74.000 h   |

| Mounting technology         |                 |
|-----------------------------|-----------------|
| Mounting method             | Suspended       |
| Place of installation       | Ceiling-mounted |
| Adjustability               | Not adjustable  |
| stamp                       | UKCA            |
| Pendulum length max.        | 5,000 mm        |
| Material cover              | Plastic, opal   |
| Number of cable suspensions | 3               |

| Packing data            |   |
|-------------------------|---|
| Gross weight            | 3.5 kg  |
| Length of packaging     | 480 mm  |
| Packaging width         | 480 mm  |
| Packaging height        | 45 mm   |
| Disposal at end of life | This product must not be disposed of with household waste. You are obliged, to dispose of such electrical waste separately.<br>By disposing of electrical waste and other old or defective electronics separately, you support recycling or other forms of re-use. In that way you help to take care and to avoid that harmful substances get into the environment. |