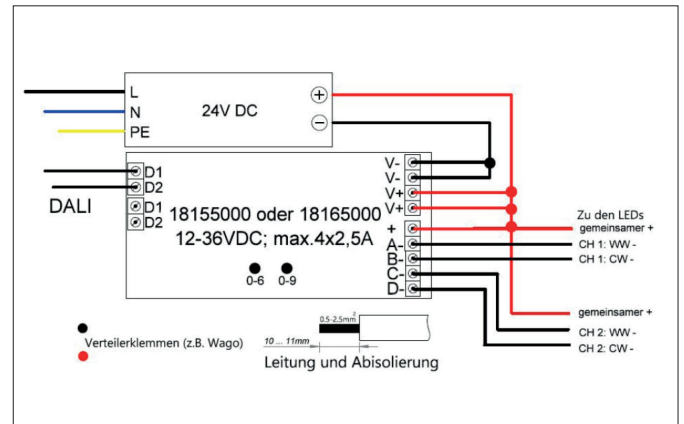


LED dimmer 12-24 V DC, dimmable

Article no. 18155000


Tender

LED dimmer 12-24 V DC, dimmable, black. LED dimmer series for constant voltage operation (12-24 V DC) via 4 channels (single or multi-color). Wiring is screwless via plug-in terminals. Cable cross-section: 0.5-2.5 mm².

An external power supply is required for operation, output signal (dimming): PWM (pulse width modulation), with reverse polarity and over-temperature protection.

Max. Output current: 10 A (4 x 2.5 A: 3 x 3.33 A: 2 x 5 A: 1 x 5 A)

Max. Output power 12 V: 120 W (4 x 30 W: 3 x 40 W: 2 x 60 W: 1 x 60 W)

Max. Output power 24 V: 240 W (4 x 60 W: 3 x 80 W: 2 x 120 W: 1 x 120 W) Material: Plastic, Protection rating on room side: to DIN EN 60529: IP20, Protection class: (EN 61140) III, Voltage: 12V 24V, Power: 240 W, Dimming type: DALI-2.

| Article data | |
|-------------------|---------------------------------|
| Article no. | 18155000 |
| GTIN | 4251433913177 |
| Short description | LED dimmer 12-24 V DC, dimmable |
| Material | Plastic |
| Colour | Black |
| Length | 170 mm |
| Width | 59 mm |
| Height | 30 mm |
| Weight | 0.143 kg |
| Conformance | UKCA |

LED dimmer 12-24 V DC, dimmable

Article no. 18155000

| Operating technology of driver | |
|--------------------------------|-------------------|
| Protection class | III |
| Degree of protection | IP20 |
| Power min | 1 W |
| Power max. | 240 W |
| Output voltage max | 24.00 V |
| Output voltage min. | 12.00 V |
| Control | DALI-2 , DALI-DT8 |
| Environment temperature (ta) | 0°C up to 40°C |
| Measure point (tc) | max. +70 °C |

| Packing data | |
|-------------------------|--|
| Gross weight | 0.167 kg |
| Length of packaging | 175 mm |
| Packaging width | 60 mm |
| Packaging height | 35 mm |
| Disposal at end of life | <p>This product must not be disposed of with household waste. You are obliged, to dispose of such electrical waste separately.</p> <p>By disposing of electrical waste and other old or defective electronics separately, you support recycling or other forms of re-use. In that way you help to take care and to avoid that harmful substances get into the environment.</p> |