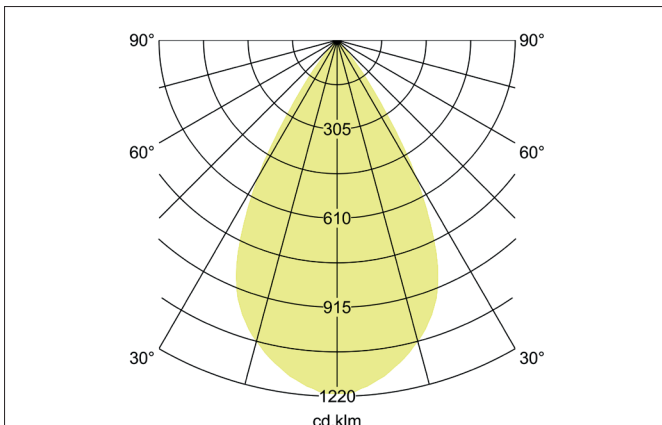
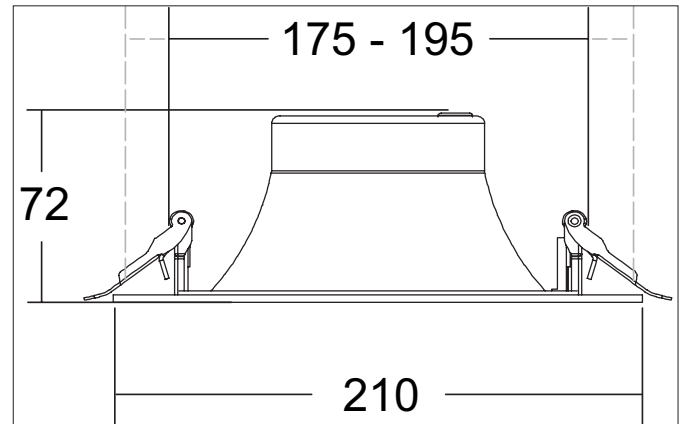


DIOS MINI LED recessed downlight, switchable

Article no. 40671174


Tender

LED recessed downlight, switchable, Round. Toolless ceiling installation by installation springs. Ceiling cut-out Ø 195 mm, Installation depth 72 mm, Outer diameter 210 mm, Weight 0,400 kg, Reflector white with rotationssymmetrical, deep, wide distributed light intensity. Cover plastic, transparent. Luminous flux 1.365 lm, UGR < 16, Power 1 x 9,7 W, Light colour neutral white, Correlated color temperature (CCT) 4.000 K, Colour rendering index CRI > 90, Rated life time L80/B10 at 25 °C: 50.000 h, Rated life time L80/B50 at 25 °C: 50.000 h, Housing material: Aluminium / Glass / Plastic, Colour: White structure, Permissible ambient temperature (ta): -20 °C - +25 °C, Protection class (EN 61140): II, Degree of protection (DIN EN 60529): IP20. With electronic driver, on/off switchable.

Product Benefits

- Vertiefter Lichtaustritt mit Blendungsbewertung UGR<16.
- Breiter Leuchtenrand für ein Einbaumaß von 175 - 195 mm (vermeidet u. U. den Bedarf eines Reduzierringes).
- Homogene Farbgebung durch gleichfarbige Ausführung von Reflektor und Außenring (strukturweiß, strukturschwarz, struktursilber).
- Konverter mit großem Anschlußraum zur einfachen, schnellen und komfortablen Inbetriebnahme.
- Schaltbare Version - in gleichen Abmessungen auch dimmbar lieferbar (DALI-2, Push Dim).
- Lieferbar in 3.000 K oder 4.000 K.
- Multilumen-Ausführung (werkseitig eingestellter Konstantstrom 250 mA).
- Weitere Stromeinstellungen bauseits möglich: 100 mA, 150 mA, 200 mA.
- BEG-förderfähig (Systemeffizienz > 120 lm / W).

DIOS MINI LED recessed downlight, switchable

Article no. 40671174

Article data	
Article no.	40671174
GTIN	4251433996453
Series name	DIOS MINI
Short description	LED recessed downlight, switchable
Material	Aluminium / Glass / Plastic
Colour	White
Type of surface	Structure
Shape	Round
Outer diameter	210 mm
Built-in diameter min.	175 mm
Built-in diameter	195 mm
Installation depth	72 mm
Weight	0.400 kg
Conformance	CE, UKCA

Lighting technology	
Colour temperature	4.000 K
Light colour	White
Light output	Direct
Luminous flux	1,365 lm
System efficiency	141 lm/W
Colour rendering	CRI > 90
Reflector	Matt
Reflector colour	white
Beam angle	58°
Glare evaluation	UGR < 16
Light sharing	Symmetric
Adjustable color temperature	No

Operating technology of the luminaire	
System output	9.7 W
Voltage type	AC
AC nominal voltage max	230 V
Frequency max	50 Hz
Lamp	LED
Lamp holder	Without fitting
Protection class	II
Degree of protection	IP20
Dimmable	No
Control	on/off
Bulb change possible	The light source of this luminaire may only be replaced by the manufacturer or a service technician commissioned by him or a similarly qualified person.
Rated life time L80/B10 at 25 °C	50.000 h
Rated life time L80/B50 at 25 °C	50.000 h

Mounting technology	
Mounting method	Recessed mounting
Place of installation	Ceiling-mounted
Adjustability	Not adjustable
Max. ceiling thickness	25 mm
Further references	No cover with thermal insulation material
Material cover	Plastic, transparent
Suitable for through-wiring	Yes

DIOS MINI LED recessed downlight, switchable

Article no. 40671174

Packing data	
Gross weight	0.9 kg
Length of packaging	230 mm
Packaging width	230 mm
Packaging height	100 mm
Disposal at end of life	<p>This product must not be disposed of with household waste. You are obliged, to dispose of such electrical waste separately.</p> <p>By disposing of electrical waste and other old or defective electronics separately, you support recycling or other forms of re-use. In that way you help to take care and to avoid that harmful substances get into the environment.</p>