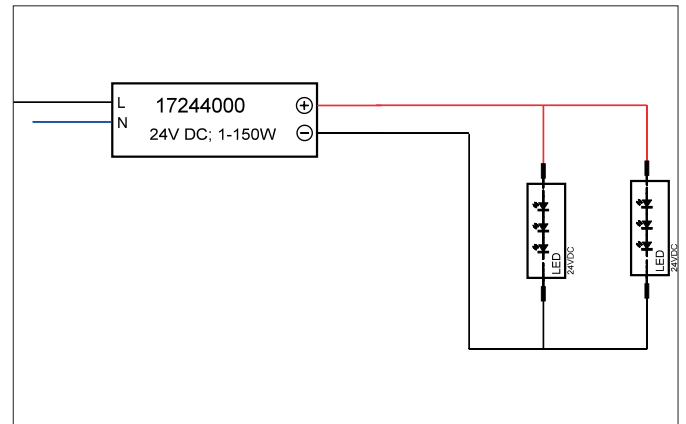


## LED power supply 24 V DC, on/off switchable

Article no. 17244000

Light.  
For Generations.



### Tender

LED power supply 24 V DC, on/off switchable, , Rectangular. Material: Plastic, Degree of protection: according to DIN EN 60529 IP20, Protection class: (EN 61140) II, Voltage: 230V AC 50Hz, Power: 150 W, Dimmable: No, Control: on/off.

Article data	
Article no.	17244000
GTIN	4251433939085
Short description	LED power supply 24 V DC, on/off switchable
Material	Plastic
Shape	Rectangular
Length	310 mm
Width	40 mm
Hight	30 mm
Weight	0.485 kg
stamp	ENEC, MM
Conformance	CE

**LED power supply 24 V DC, on/off switchable**

Article no. 17244000

Light.  
For Generations.

Operating technology of driver	
AC nominal voltage min	220 V
AC nominal voltage max	240 V
Frequency min	50 Hz
Frequency max	60 Hz
Protection class	II
Degree of protection	IP20
max. no. lights on C16 A	6
max. no. lights on B16 A	4
Starting current	45 A, 540 us
Power min	1 W
Power max.	150 W
Output_ripple_current	2
Suitable for emergency lighting	No
Control	on/off
Environment temperature (ta)	-20°C up to +45°C
Measure point (tc)	max. +85°C
Average nominal lifespan	50000 h
Power factor	0.98

Packing data	
Gross weight	0.513 kg
Length of packaging	45 mm
Packaging width	35 mm
Packaging height	330 mm
Disposal at end of life	This product must not be disposed of with household waste. You are obliged, to dispose of such electrical waste separately. By disposing of electrical waste and other old or defective electronics separately, you support recycling or other forms of re-use. In that way you help to take care and to avoid that harmful substances get into the environment.