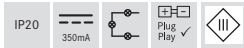
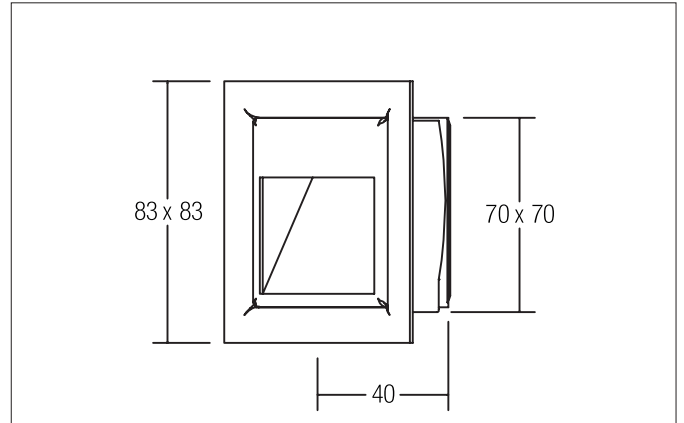
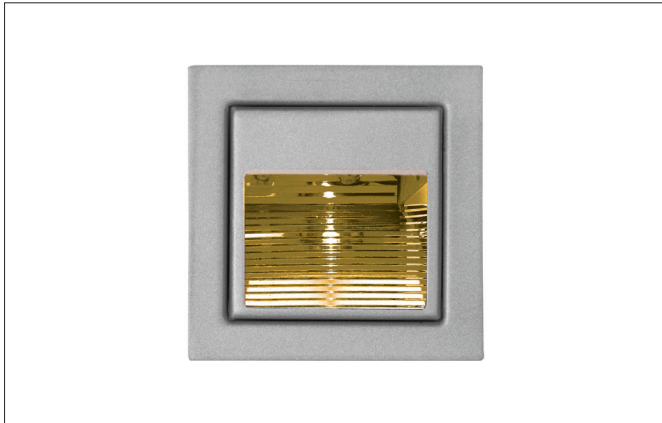


VERTU LED wall recessed light

Article no. P3729Y

Light.
For Generations.**Tender**

LED wall recessed light, Square. Ceiling cut-out L x W 70 x 70 mm, Installation depth 40 mm, Weight 0,165 kg, asymmetric , Power 1 x 1,2 W, Light colour , Correlated color temprature (CCT) 6.000 K, Colour rendering index CRI > 80, Housing material: Steel, Colour: Alu, Permissible ambient temperature (ta): -20 °C - +25 °C, Protection class (EN 61140): III, Degree of protection (DIN EN 60529): IP20, .For connection to an external driver, which is not included in the scope of delivery of the luminaire. Depending on driver dimmable.

Article data	
Article no.	P3729Y
GTIN	4250047729914
Series name	VERTU
Short description	LED wall recessed light
Material	Steel
Colour	Alu
Type of surface	Matt
Shape	Square
Built-in width	70 mm
Built-in length	70 mm
Installation depth	40 mm
Width	83 mm
Hight	1.5 mm
Weight	0.165 kg

VERTU LED wall recessed light

Article no. P3729Y

Light.
For Generations.

Lighting technology	
Colour temperature	6.000 K
System efficiency	1 lm/W
Colour rendering	CRI > 80
Reflector	Glossy
Light sharing	Asymmetric
Adjustable color temperature	No

Operating technology of the luminaire	
System output	1.2 W
Voltage type	DC
Current	350 mA
Lamp	LED
Lamp holder	Plug&Play
Protection class	III
Degree of protection	IP20
Dimmable	Depending on type of control gear
Control	Depending on driver
Bulb change possible	The light source of this luminaire may only be replaced by the manufacturer or a service technician commissioned by him or a similarly qualified person.

Mounting technology	
Mounting method	Recessed mounting
Place of installation	Wall-mounted
Adjustability	Not adjustable
stamp	UKCA
Further references	No cover with thermal insulation material
Material cover	Without cover

Packing data	
Gross weight	0.182 kg
Length of packaging	85 mm
Packaging width	43 mm
Packaging height	84 mm
Disposal at end of life	This product must not be disposed of with household waste. You are obliged, to dispose of such electrical waste separately. By disposing of electrical waste and other old or defective electronics separately, you support recycling or other forms of re-use. In that way you help to take care and to avoid that harmful substances get into the environment.

Required accessories	