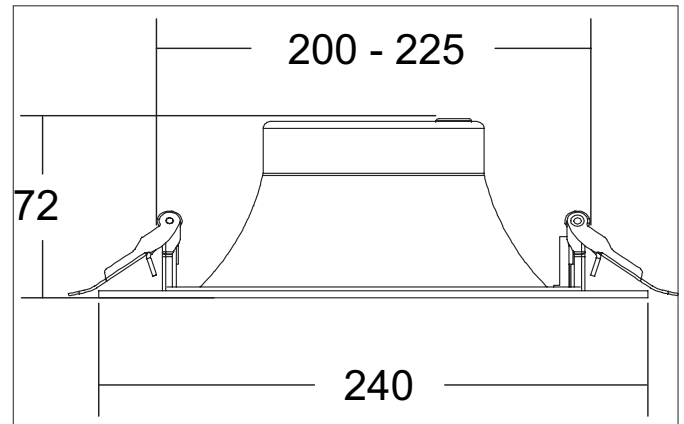


DIOS MIDI; DA = 200 - 225 mm, LED-Einbaudownlight, DALI
Article no. 40672184DALight.
For Generations.**Tender**

LED-Einbaudownlight, DALI, Round. Toolless ceiling installation by installation springs. Ceiling cut-out Ø 200 mm, Installation depth 72 mm, Outer diameter 240 mm, Weight 0,400 kg. Reflector white with rotationssymmetrical, deep, wide distributed light intensity. optimal light distribution due to a plastic, transparent cover. Luminous flux 1.840 lm, UGR < 16, Power 1 x 13,9 W, Light colour neutral white, Correlated color temperature (CCT) 4.000 K, Colour rendering index CRI > 90, Rated life time L80/B10 at 25 °C: 50000 h, Rated life time L80/B50 at 25 °C: 50000 h, Housing material: Aluminium / Glass / Plastic, Colour: Black structure, Permissible ambient temperature (ta): -20 °C - +25 °C, Protection class (EN 61140): II, Degree of protection (DIN EN 60529): IP20, .With electronic driver, DALI-2 dimmable.

Article data	
Article no.	40672184DA
GTIN	4251433996668
Series name	DIOS MIDI; DA = 200 - 225 mm,
Short description	LED-Einbaudownlight, DALI
Material	Aluminium / Glass / Plastic
Colour	Black
Type of surface	Structure
Shape	Round
Outer diameter	240 mm
Built-in diameter	200 mm
Installation depth	72 mm
Weight	0.400 kg

DIOS MIDI; DA = 200 - 225 mm, LED-Einbaudownlight, DALI

Article no. 40672184DA

Light.
For Generations.

Lighting technology	
Colour temperature	4.000 K
Light colour	White
Light output	Direct
Luminous flux	1,840 lm
System efficiency	132 lm/W
Colour rendering	CRI > 90
Reflector	Matt
Reflektorfarbe	white
Beam angle	55°
Glare evaluation	UGR < 16
Light sharing	Symmetric
Adjustable color temperature	No

Operating technology of the luminaire	
System output	13.9 W
Voltage type	AC
AC nominal voltage max	230 V
Frequenz max.	50 Hz
Lamp	LED
Lamp holder	Without fitting
Protection class	II
Degree of protection	IP20
Control	DALI-2
Bulb change possible	The light source of this luminaire may only be replaced by the manufacturer or a service technician commissioned by him or a similarly qualified person.
Rated life time L80/B50 at 25 °C	50000 h

Mounting technology	
Mounting method	Recessed mounting
Place of installation	Ceiling-mounted
Adjustability	Not adjustable
Material cover	Plastic, transparent

Packing data	
Gross weight	0.9 kg
Length of packaging	165 mm
Packaging width	165 mm
Packaging height	150 mm
Disposal at end of life	This product must not be disposed of with household waste. You are obliged, to dispose of such electrical waste separately. By disposing of electrical waste and other old or defective electronics separately, you support recycling or other forms of re-use. In that way you help to take care and to avoid that harmful substances get into the environment.

Accessories	
-------------	--