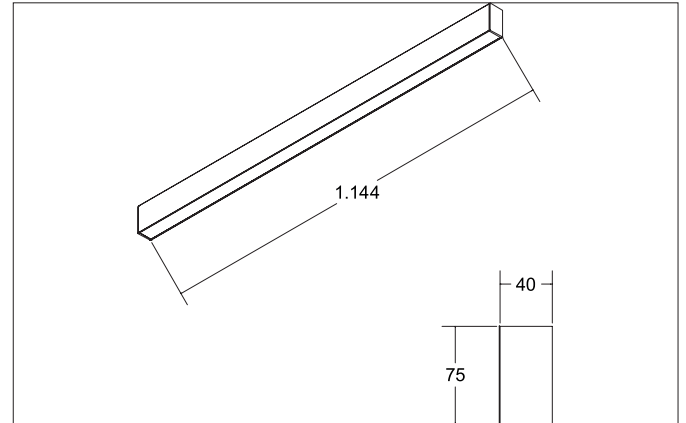
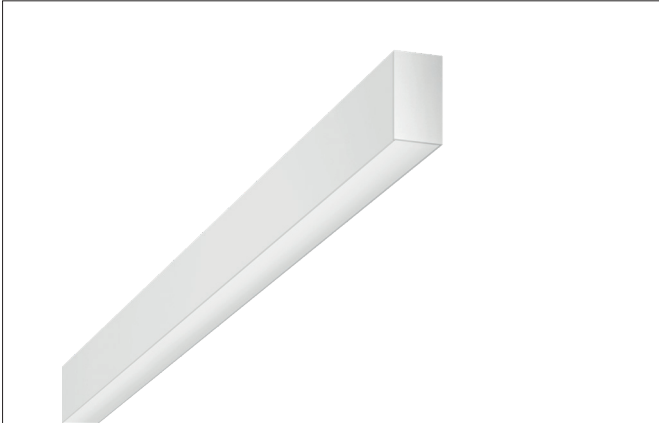


BIRO40 LED surface-mounted profile

Article no. 77143078

Light.
For Generations.**Tender**

LED surface-mounted profile, white, Rectangular. Mounting method: Surface mounting, Material: Aluminium / Acrylic, dimensions profile: length: 1.140 mm x width: 40 mm x height: 75 mm

Article data	
Article no.	77143078
GTIN	4251433955375
Series name	BIRO40
Short description	LED surface-mounted profile
Material	Aluminium / Acrylic
Colour	White
Shape	Rectangular
Length	1,140 mm
Width	40 mm
Hight	75 mm
Weight	2.600 kg

BIRO40 LED surface-mounted profile

Article no. 77143078

Light.
For Generations.

Lighting technology	
Colour temperature	2.700 K - 6.500 K
Light colour	White
Light output	Direct
Luminous flux	2,570 lm
McAdam-Step	McAdam-Step 3
Colour rendering	CRI > 80
Luminaire optics	Cover satin
Reflector	Without
Beam angle	80°
Glare evaluation	UGR < 25
Light sharing	Symmetric
Adjustable color temperature	No

Operating technology of the luminaire	
System output	31.4 W
Voltage type	AC
AC nominal voltage max	230 V
Frequency max	50 Hz
Lamp	LED
Lamp holder	Without fitting
Protection class	I
Degree of protection	IP20
Control	DALI, DALI-DT8
Rated life time L70/B50 at 25 °C	65,000 h
Rated life time L80/B50 at 25 °C	70.000 h

Mounting technology	
Mounting method	Surface mounting
Place of installation	Ceiling-mounted
Adjustability	Not adjustable
stamp	UKCA
Material cover	Plastic, satinised

Packing data	
Gross weight	3.05 kg
Length of packaging	1,250 mm
Packaging width	160 mm
Packaging height	135 mm
Disposal at end of life	This product must not be disposed of with household waste. You are obliged, to dispose of such electrical waste separately. By disposing of electrical waste and other old or defective electronics separately, you support recycling or other forms of re-use. In that way you help to take care and to avoid that harmful substances get into the environment.