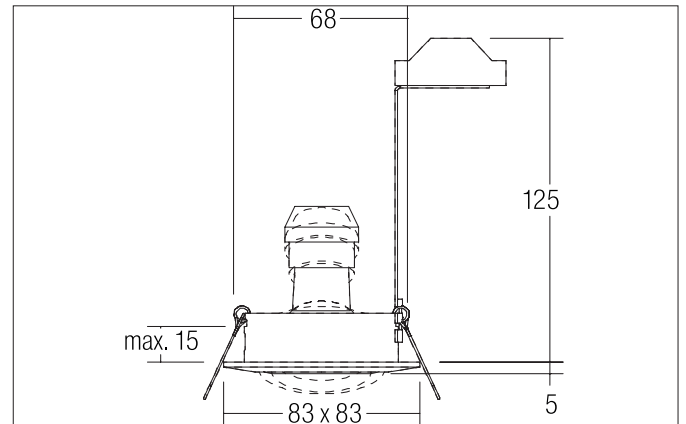


BREENA-S Recessed spot, GU 10

Article no. 36142150

Light.
For Generations.**Tender**

Recessed spot, GU10, nickel satin, Square. In a compact design, for installation in tool-less rapid assembly systems. Including bracket with GU10 socket for standard-compliant strain relief. Lamp holder: GU10, Mounting method: Recessed mounting, Place of installation: Ceiling-mounted, Material: Zinc casting / Aluminium casting, Degree of protection: according to DIN EN 60529 IP20, Protection class: (EN 61140) II, Voltage: 230V AC 50Hz, Power: 50 W, Amount of light sources / fittings: 1 Qty, Adjustability: Pivoted, without control gear, Control: Other.

Article data	
Article no.	36142150
GTIN	4250047780458
Series name	BREENA-S
Short description	Recessed spot, GU10
Material	Cast iron
Colour	Nickel
Type of surface	Matt
Shape	Square
Built-in diameter	68 mm
Installation depth	125 mm
Length	83 mm
Width	83 mm
Height	5 mm
Weight	0.133 kg

BREENA-S Recessed spot, GU 10

Article no. 36142150

Light.
For Generations.

Operating technology of the luminaire	
System output	50 W
Voltage type	AC
AC nominal voltage max	230 V
Frequenz max.	50 Hz
Lamp	For LED-retrofill lamp
Lamp holder	GU10
Protection class	II
Degree of protection	IP20
Control	Other
Bulb change possible	Yes

Mounting technology	
Mounting method	Recessed mounting
Place of installation	Ceiling-mounted
Adjustability	Pivoted
Swivel angle	25°
Max. ceiling thickness	15 mm
stamp	UKCA
Further references	No mounting box No cover with thermal insulation material
Material cover	Without cover
Circlip	Without circlip

Packing data	
Gross weight	0.156 kg
Length of packaging	140 mm
Packaging width	110 mm
Packaging hight	120 mm
Disposal at end of life	This product must not be disposed of with household waste. You are obliged, to dispose of such electrical waste separately. By disposing of electrical waste and other old or defective electronics separately, you support recycling or other forms of re-use. In that way you help to take care and to avoid that harmful substances get into the environment.