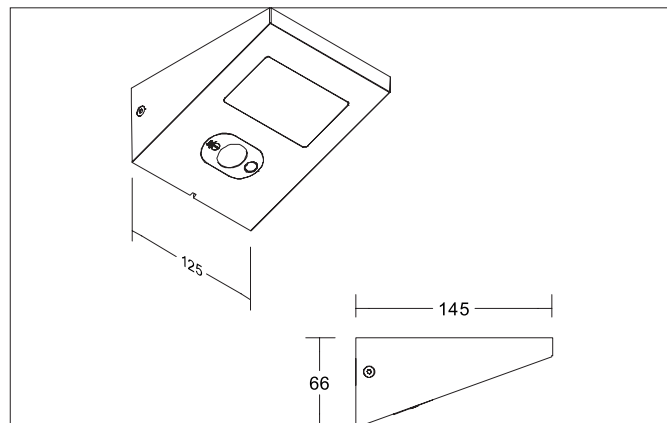
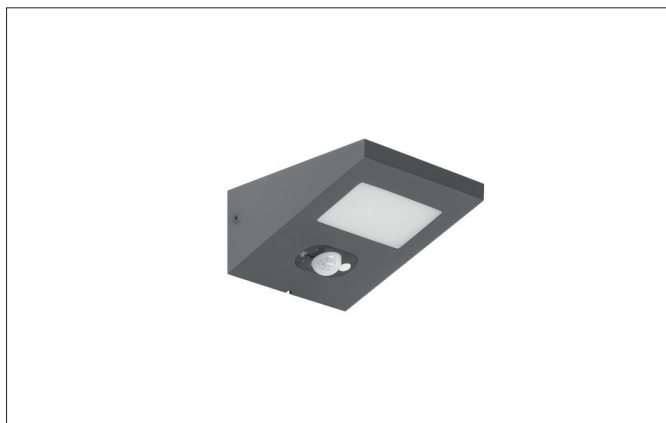


**ARGUS LED solar wall surface-mounted luminaire, IP54**

Article no. 65291103

Light.  
For Generations.**Tender**

LED solar wall surface-mounted luminaire, IP54, Rectangular. Luminaire length 145.0 mm, Luminaire width 145.0 mm, Height 60.0 mm  
 Weight 0.745 kg, with rotationssymmetrical, deep, wide distributed light intensity. Luminous flux 150 lm, Power 1 x 1,4 W, Light colour warm white to warm white, Correlated color temperature (CCT) 3.000 - 3.000 K, Colour rendering index CRI > 80, Housing material: Aluminium / Plastic, Colour: Graphite structure, Permissible ambient temperature (ta): -20 °C - +25 °C, Protection class (EN 61140): III, Degree of protection (DIN EN 60529): IP54, .For direct connection to mains voltage, on/off switchable.

**Product Benefits**

Charging time: 6 hrs at 100,000 lux sunlight.

Working time: 7 hrs at 100% power.

Working time: 18 hrs at 20% power.

**ARGUS LED solar wall surface-mounted luminaire, IP54**

Article no. 65291103

Light.  
For Generations.

Article data	
Article no.	65291103
GTIN	4251433982845
Series name	ARGUS
Short description	LED solar wall surface-mounted luminaire, IP54
Material	Aluminium / Plastic
Colour	Graphite
Type of surface	Structure
Shape	Rectangular
Length	145 mm
Width	145 mm
Height	60 mm
Scope of delivery	- Charging time: 6 hrs at 100,000 lux sunlight.  - Working time: 7 hrs at 100% power.  - Working time: 18 hrs. at 20% power.
Weight	0.745 kg

Lighting technology	
Colour temperature	3.000 K
Light colour	White
Light output	Direct
Luminous flux	150 lm
System efficiency	107 lm/W
McAdam-Step	McAdam-Step 6
Colour rendering	CRI > 80
Beam angle	115°
Light sharing	Symmetric
Adjustable color temperature	No

Operating technology of the luminaire	
System output	1.4 W
Voltage type	DC
DC nominal voltage max	3.7 V
Frequenz max.	50 Hz
Lamp	LED
Lamp holder	Without fitting
Protection class	III
Degree of protection	IP54
Control	on/off
Bulb change possible	The light source of this luminaire may only be replaced by the manufacturer or a service technician commissioned by him or a similarly qualified person.

Mounting technology	
Mounting method	Surface mounting
Place of installation	Wall-mounted
Adjustability	Not adjustable
Further references	Outdoor
Suitable for through-wiring	No

**ARGUS LED solar wall surface-mounted luminaire, IP54**

Article no. 65291103

Light.  
For Generations.

Packing data	
Gross weight	0.828 kg
Length of packaging	200 mm
Packaging width	150 mm
Packaging height	150 mm
Disposal at end of life	<p>This product must not be disposed of with household waste. You are obliged, to dispose of such electrical waste separately.</p> <p>By disposing of electrical waste and other old or defective electronics separately, you support recycling or other forms of re-use. In that way you help to take care and to avoid that harmful substances get into the environment.</p>