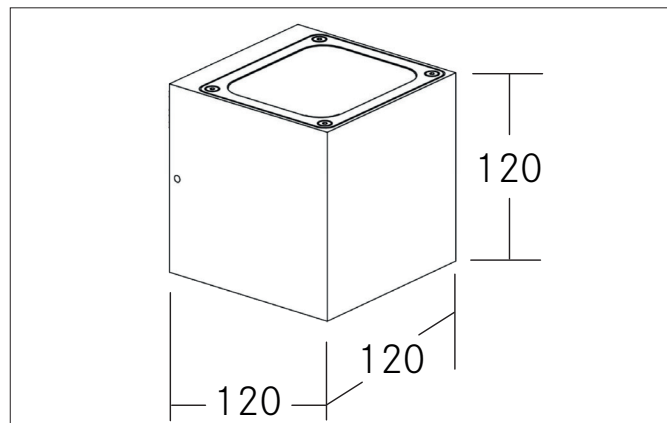


SELIA LED wall surface mounted luminaire, IP54

Article no. 65234103

Light.
For Generations.**Tender**

LED wall surface mounted luminaire, IP54, Rectangular. Luminaire length 120.0 mm, Luminaire width 120.0 mm, Height 120.0 mm Weight 1.15 kg, with rotationssymmetrical, deep, wide distributed light intensity. optimal light distribution due to a plastic, transparent cover. Luminous flux 890 lm, Power 1 x 9 W, Light colour warm white to warm white, Correlated color temperature (CCT) 2.950 - 3.000 K, Colour rendering index CRI > 80, Housing material: Aluminium / Plastic, Colour: Graphite structure, Permissible ambient temperature (ta): -20 to +45°C, Protection class (EN 61140): I, Degree of protection (DIN EN 60529): IP54, .With electronic driver, on/off switchable.

| Article data | |
|-------------------|---|
| Article no. | 65234103 |
| GTIN | 4251433982746 |
| Series name | SELIA |
| Short description | LED wall surface mounted luminaire, IP54 |
| Material | Aluminium / Plastic |
| Colour | Graphite |
| Type of surface | Structure |
| Shape | Rectangular |
| Length | 120 mm |
| Width | 120 mm |
| Height | 120 mm |
| Scope of delivery | incl. converter for connection to 230 V mains voltage, switchable |
| Weight | 1.150 kg |

SELIA LED wall surface mounted luminaire, IP54

Article no. 65234103

Light.
For Generations.

| Lighting technology | |
|------------------------------|-----------------|
| Colour temperature | 3.000 K |
| Light colour | White |
| Light output | Direct/Indirect |
| Luminous flux | 890 lm |
| System efficiency | 99 lm/W |
| McAdam-Step | McAdam-Step 3 |
| Colour rendering | CRI > 80 |
| Beam angle | 78° |
| Light sharing | Symmetric |
| Adjustable color temperature | No |

| Operating technology of the luminaire | |
|---------------------------------------|--|
| System output | 9 W |
| Voltage type | AC |
| AC nominal voltage max | 230 V |
| Frequenz max. | 50 Hz |
| Frequenz min. | 50 Hz |
| Lamp | LED |
| Lamp holder | Without fitting |
| Protection class | I |
| Degree of protection | IP54 |
| Ambient temperature | -20 bis +45°C |
| Dimmable | No |
| Control | on/off |
| Bulb change possible | The light source of this luminaire may only be replaced by the manufacturer or a service technician commissioned by him or a similarly qualified person. |

| Mounting technology | |
|-----------------------------|----------------------|
| Mounting method | Surface mounting |
| Place of installation | Wall-mounted |
| Adjustability | Not adjustable |
| Further references | Outdoor |
| Material cover | Plastic, transparent |
| Suitable for through-wiring | Yes |

| Packing data | |
|-------------------------|---|
| Gross weight | 11 kg |
| Length of packaging | 200 mm |
| Packaging width | 150 mm |
| Packaging height | 150 mm |
| Disposal at end of life | This product must not be disposed of with household waste. You are obliged, to dispose of such electrical waste separately. By disposing of electrical waste and other old or defective electronics separately, you support recycling or other forms of re-use. In that way you help to take care and to avoid that harmful substances get into the environment. |